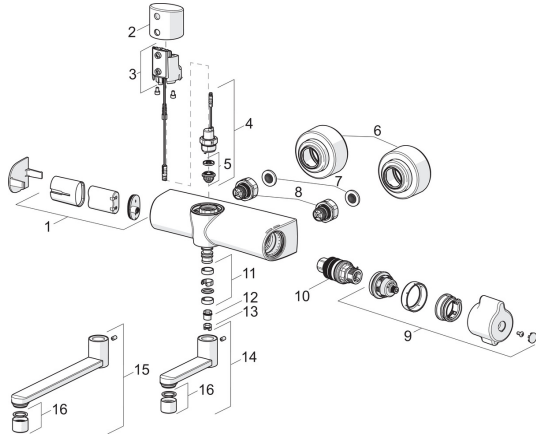


EAN: 4057304014437
static.hansa.com/08866201

Spare parts

SP08866201



	Name	Code
01	Battery casing	59914154
02	Sensor holder Chrome	1006102V
03	Sensor, 6/9/12 V Bluetooth	1006929V
04	Solenoid valve, 3 V	1006792V
05	Membrane	59914150
06	Cover flange Chrome	59914758
07	Filter sealing, G3/4	59911076
08	Combiner	59914472
09	Temperature control handle Chrome	59914759
10	Thermostatic cartridge, 3.4	59914114
11	Sealing kit for spout Chrome	59914720
12	Spout overturning stopper, 60° / 0°	59914264
13	Limiter, 120°	59914728
14	Spout, L=100 Chrome	59914658
15	Spout, L=200 Chrome	59914659
16	Aerator, M22x1 PL HC STD A Laminar Chrome	59914732