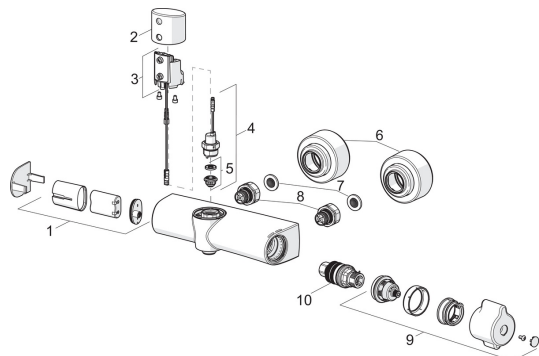


EAN: 4057304014420
static.hansa.com/08866200

Spare parts



SP08866200

| | Name | Code |
|----|-----------------------------------|----------|
| 01 | Battery casing | 59914154 |
| 02 | Sensor holder Chrome | 1006102V |
| 03 | Sensor, 6/9/12 V Bluetooth | 1008025V |
| 04 | Solenoid valve, 3 V | 1006792V |
| 05 | Membrane | 59914150 |
| 06 | Cover flange Chrome | 1006473V |
| 07 | Filter sealing, G3/4 | 59911076 |
| 08 | Combiner | 59914472 |
| 09 | Temperature control handle Chrome | 1006058V |
| 10 | Thermostatic cartridge, 3.4 | 59914114 |