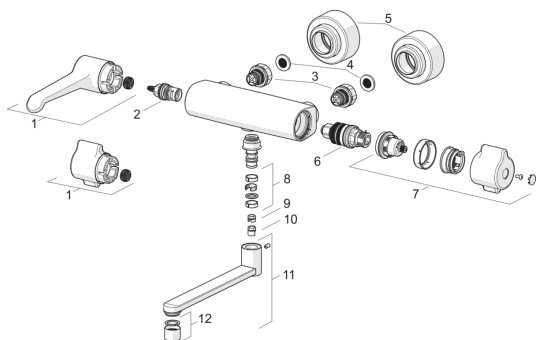


EAN: 4057304013416
static.hansa.com/08806202

Spare parts

SP08806202



	Name	Code
01	Flow control handle, L=150 mm Chrome	59914757
01	Flow control handle Chrome	59914756
02	Headpart, G1/2	59914207
03	Combiner	59914472
04	Filter sealing, G3/4	59911076
05	Cover flange Chrome	59914758
06	Thermostatic cartridge, 3.4	59914114
07	Temperature control handle Chrome	59914759
08	Sealing kit for spout Chrome	59914720
09	Limiter, 120°	59914728
10	Spout overturning stopper, 60°/0°	59914264
11	Spout, L=200 Chrome	59914659
12	Aerator, M22x1 PL HC STD A Laminar Chrome	59914732