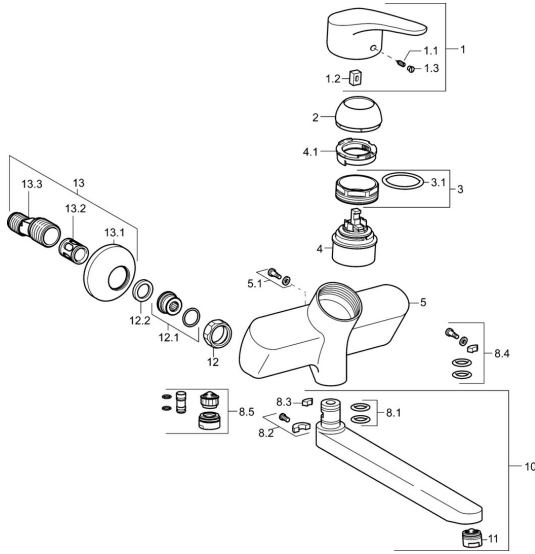


EAN: 4015474271357  
[static.hansa.com/01692183](http://static.hansa.com/01692183)

## Spare parts

### SP01692183



|      | Name  | Code     |
|------|---|----------|
| 1    | Lever, L=93 mm Chrome                             | 01880083 |
| 1.1  | Screw, M5x8, SW2.5                                | 59904755 |
| 1.2  | Bushing   | 59904778 |
| 1.3  | Symbol plug Grey                                  | 59912112 |
| 2    | Covering cap Chrome                               | 59912638 |
| 3    | Eye screw, M50x1, SW45                            | 59904775 |
| 3.1  | O-ring, d 43x2.5                                  | 59911166 |
| 4    | Cartridge, 4.8 eco                                | 59904601 |
| 4.1  | Hot water limiter                                 | 59904759 |
| 5.1  | Fixing screw, M6x12, AF2.5                        | 59904804 |
| 8.1  | O-ring, d 15x2.5                                  | 59910423 |
| 8.2  | Limiter   | 59910421 |
| 8.2  | Screw, M6x10, 2,5                                 | 59911435 |
| 8.3  | Limiter   | 59910422 |
| 8.4  | Maintenance set                                   | 59912230 |
| 8.5  | Emptying valve                                    | 59912483 |
| 10   | Spout, L=235 Chrome                               | 59910417 |
| 10   | Spout, L=96 Chrome                                | 59910419 |
| 10   | Spout, L=170 Chrome                               | 59911183 |
| 10   | Spout, L=145 Chrome                               | 59911380 |
| 10   | Spout, L=96 (2019-) Chrome                        | 59914765 |
| 10   | Spout, L=170 (2019-) Chrome                       | 59914766 |
| 10   | Spout, L=235 (2019-) Chrome                       | 59914767 |
| 11   | Aerator, M24x1 STD PL HC A Laminar (2013-) Chrome | 59914054 |
| 12   | Connection nut, G3/4, AF30                        | 59902230 |
| 12.1 | Connector   | 59913400 |
| 12.2 | Retaining ring, 23.9x15.2x2                       | 59902689 |
| 13   | Eccentric, G3/4xG1/2 Chrome                       | 59904793 |
| 13.1 | Cover flange Chrome                               | 59904796 |
| 13.2 | Silencer  | 59904792 |
| 13.3 | Eccentric connector, G3/4xG1/2, DN15              | 59910254 |