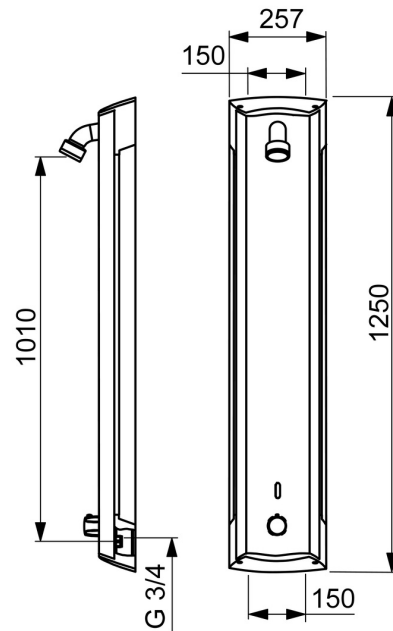


EAN: 4015474277205
static.hansa.com/64152200



- Public & Semi-public
- Touchless, Thermostatic, Battery-operated
- Wall mounted
- Aluminum/Chrome
- Temperature control handle, Safety feature for water temperature
- Overhead shower
- Safety stop against scalding at 38°C
- Litter filter(s), Non-return valve(s)
- Autofocus infrared sensor, Solenoid valve, Low battery indicator
- Flexible inlet pipes
- Software settings adjustable via magnetic key



Technical data

Flow properties

Flow-rate at 3 bar	11.7 l/min
Flow-rate at 3 bar (with flow controller)	10.8 l/min
Pressure loss with flow (0.2 l/s)	3 bar

Technical properties

DN-size (nominal dimension)	DN15
Hot water supply	max. +70°C
Working pressure	1-10 bar
Connection size	G3/4
Installation width	150 mm
Backflow prevention (EN1717)	EB
Material	Aluminium

Software settings

Afterflow period	5 s
Automatic flush	off (off/24/48/72 h)
Automatic flush period	30 s
Max. flow period	300 s (60/180/300/600 s)
Opening range	0-5 cm

Electronic properties

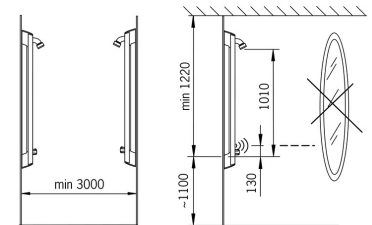
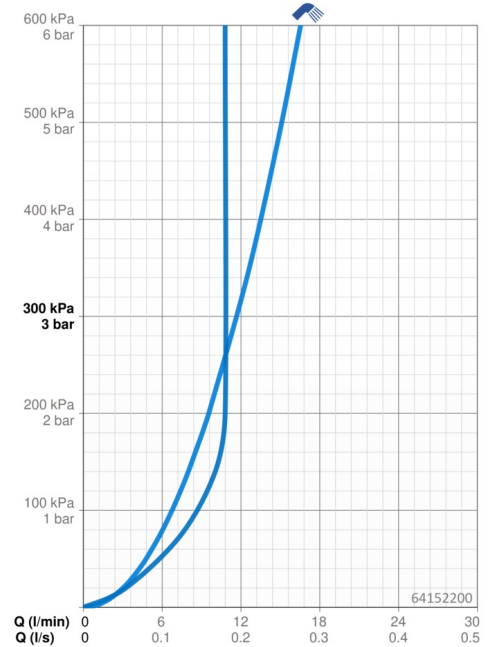
Battery	Lithium 2CR5 6 V
---------	-------------------------

Regulations

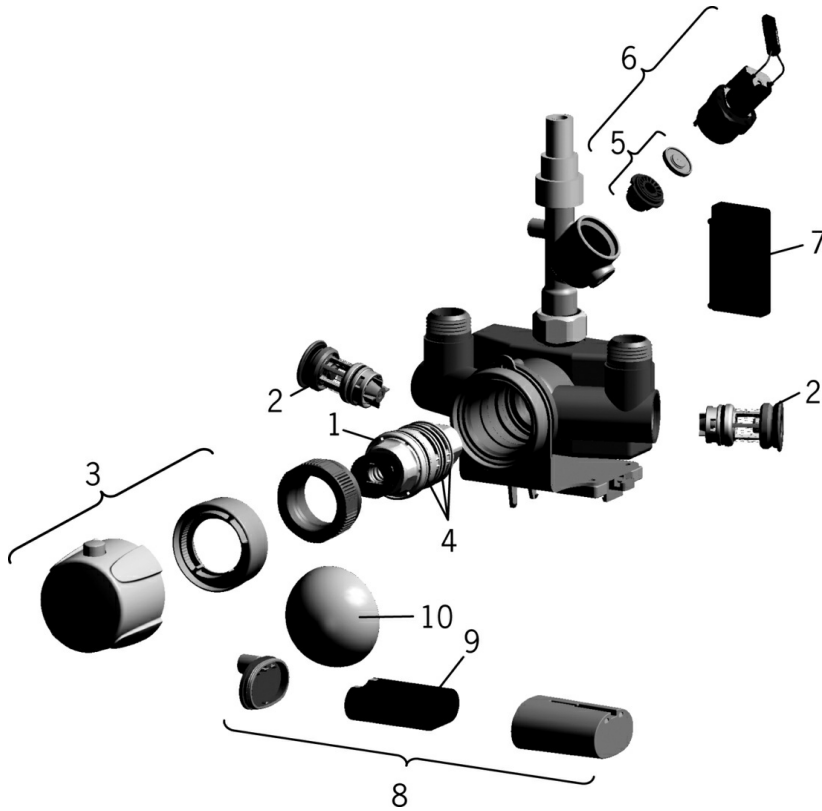
EU Directives	C € EMC Directive 2014/30/EU, RoHS Directive 2011/65/EU
EN standard	EN 1111, EN 15091, ETSI EN 301 489-1 V1.9.2, ETSI EN 300 328 v2.2.2, EN 61000-6-1:2007, EN 61000-6-3:2007+A1:2011+AC:2012, EN 60335-1:2012+A11+A13+A14+A14+A2+A15:2021, Part 19.11.4
Noise class	I (ISO 3822)
Protection class	IP 55

Approvals and Declarations

UN38.3	UN38-3 Maxell 2CR5
Declaration of conformity	EMC



Spare parts



SP64152200

	Name	Code
01	Thermostatic cartridge, 3.4	59914114
02	One-way valve with litter screen	59914237
03	Temperature control handle	59914238
04	O-ring kit	59914113
05	Membrane for solenoid valve	1006500V
05	Membrane support ring Discontinued	59914090
06	Solenoid valve, 6 V	59914091
07	Sensor, 6 V	59914239
08	Battery casing, 2CR5 6 V	59914088
09	Battery, 2CR5 6 V	59911670
10	Protective cap Discontinued	59914240
N.I.	Temperature adjustment limiter	59914426