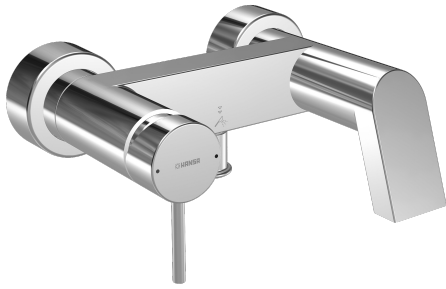


EAN: 4015474139749
static.hansa.com/57742101



- Bathtub
- Single-lever
- Wall mounted
- Chrome
- Fixed spout
- Single operating lever/handle, Hot/Cold symbols, Pin shape
- Pull operated diverter, Automatic reset
- Limitation option for maximum temperature and flow-rate, Adjustable hot water stop (included, retrofittable)
- Non-return valve(s), \varnothing 35 mm ceramic cartridge for flow and temperature control
- Eccentric coupling(s), Cover plate(s), Silencer(s)
- Inner body made of DZR brass
- Torrent water flow, protected against back-flow in domestic use (according to DIN EN 1717)

Technical data

Flow properties

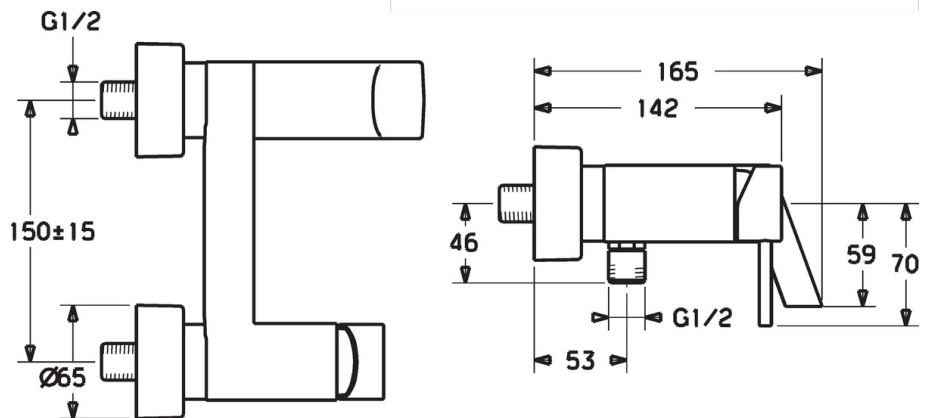
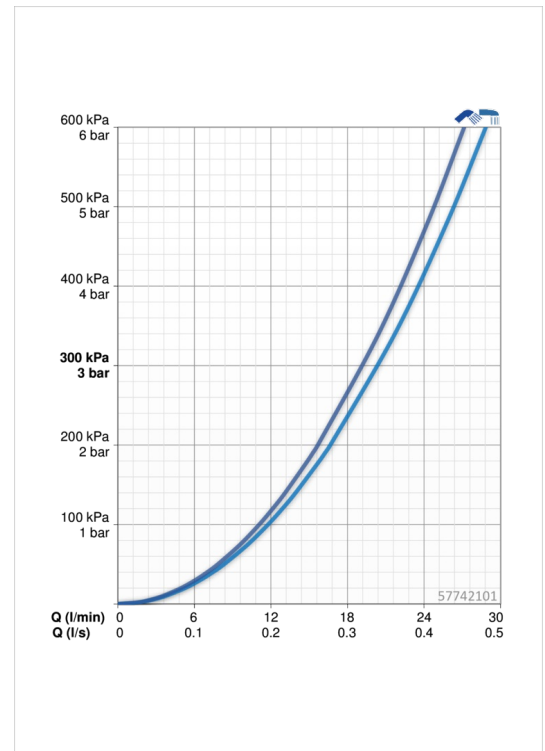
Flow-rate at 3 bar **20.4 / 19.2 l/min**

Technical properties

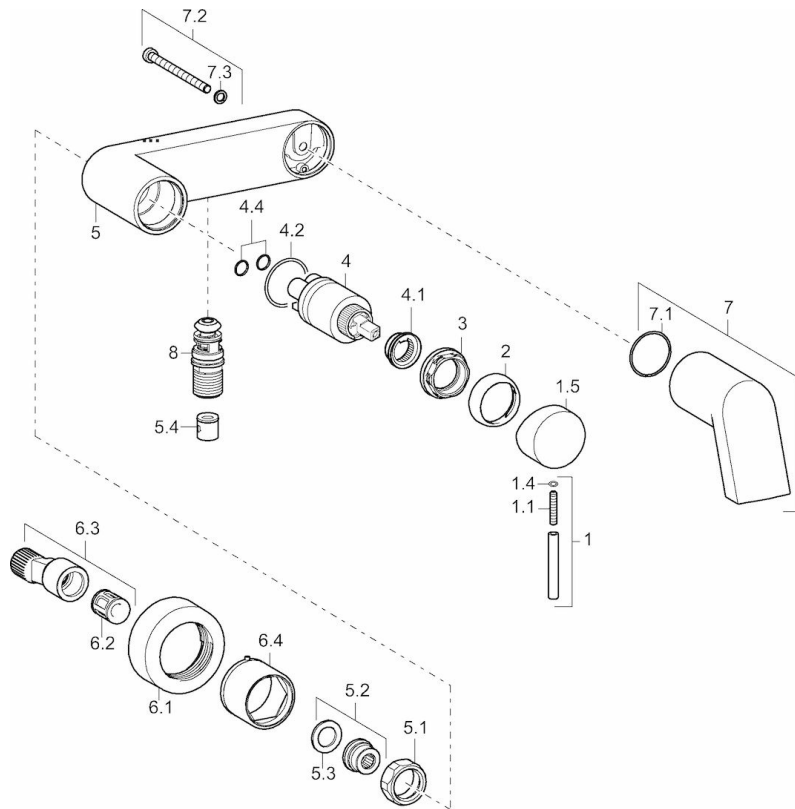
DN-size (nominal dimension) **DN15**
 Hot water supply **max. +90°C**
 Working pressure **0.5-10 bar**
 Projection **165 mm**

Regulations

EN standard **EN 817**



Spare parts



SP57742101

	Name	Code
1	Lever, 50 mm, d 7 mm	59913097
1.1	Screw, M5x25, SW 2,5	59913099
1.4	O-ring, d 3x1.5	59913100
1.5	Cap	59913098
2	Covering cap	59912110
3	Tightening nut, M37x1, AF30	59912111
4	Cartridge, 3.5 Eco	59912324
4	Cartridge, 3.5 Classic	59913075
4.1	Temperature adjustment limiter	59912325
4.2	O-ring, d 28.24x2.62	59912590
4.4	O-ring, d 10.10x1.60	59905072
5.1	Connection nut, G3/4, AF 30	59902230
5.2	Seat, 1/2"L	59904618
5.3	Retaining ring, 23.9x15.2x2	59902689
5.4	Non-return valve	59905714
6.1	Cover flange	59913105
6.2	Silencer	59904792
6.3	Eccentric connector, G3/4 x G1/2	59910254
6.4	Cover sleeve	59913106
7	Spout	59913102
7.1	O-ring, 31,00 x 1,50	59913104
7.2	Screw, M6 x 80	59913103
8	Diverter	59913101
N.I.	Key, SW 30/34	59912108