

HANASTECLA

**WASHBASIN FAUCET, 6 V**

57162211

**EAN: 4015474276956**



- Bathroom, Public & Semi-public
- Battery-operated, Touchless
- Chrome
- Fixed spout, Casted construction
- Standard aerator
- Temperature control handle
- Push pop-up waste without draw-rod
- Adjustable hot water stop (retrofitable)
- Litter filter(s), Mixing valve for manual temperature control, Non-return valve(s)
- Autofocus infrared sensor, Solenoid valve, Low battery indicator
- Flexible inlet pipes

## Technical data

### Flow properties

Flow-rate at 3 bar (with flow controller)

**6.0 l/min**

### Technical properties

DN-size (nominal dimension)  
Hot water supply  
Working pressure  
Connection size

**DN15**  
**max. +70°C**  
**1-10 bar**  
**G3/8**

### Software settings

Afterflow period  
Max. flow period

**2 s ± 1 s**  
**2 min**

### Electronic properties

Battery

**Lithium 2CR5 6 V**

### Regulations

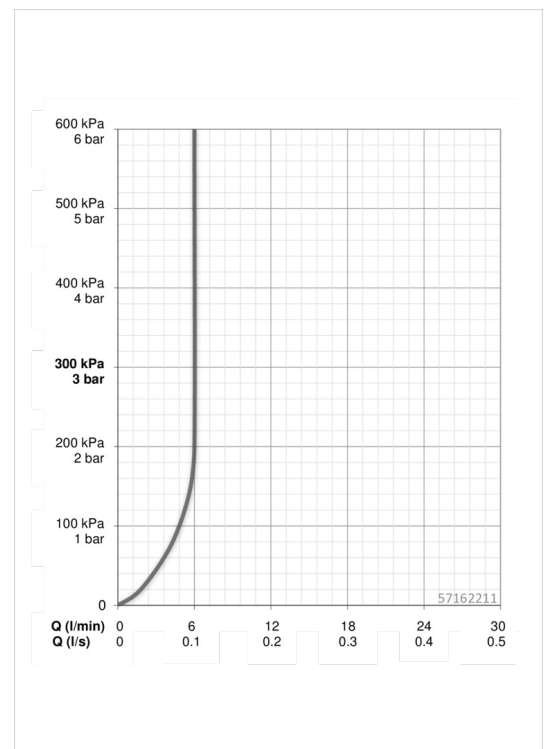
EMC Directive  
EN standard  
Protection class

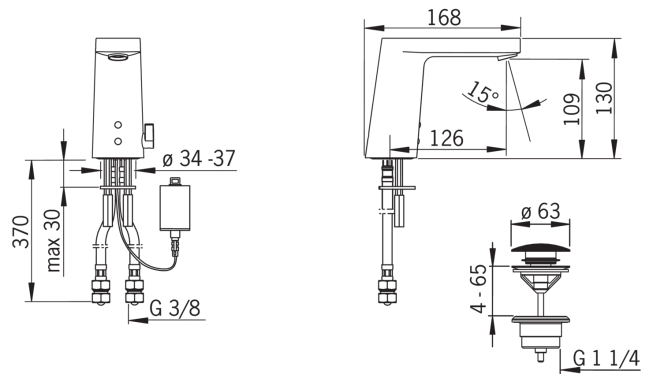
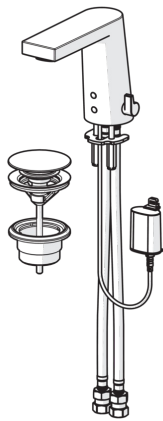
**CE 2014/30/EU**  
**EN 15091**  
**IP 55**

### Type approvals

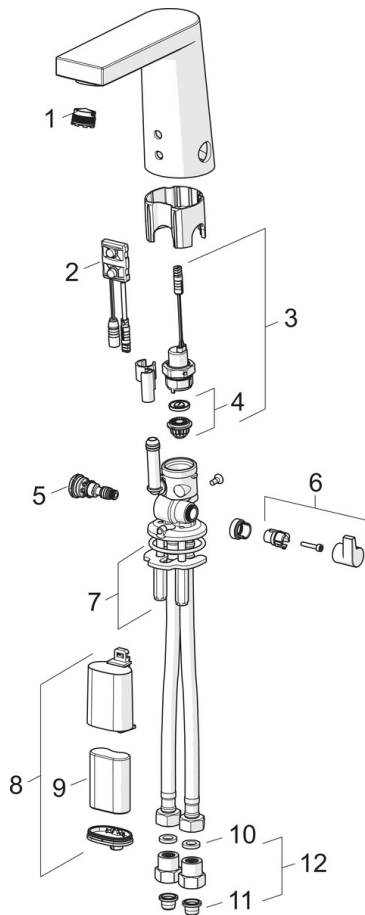
DVGW

**CW-6514CR0161**





## Spare parts



### SP57162211

Name	Code
01 Aerator, M18.5x1, Tj	59913366
02 Sensor, 6 V	59914093
02 Sensor, 6/9/12 V Bluetooth	59914567
03 Solenoid valve	59914187
04 Membrane support ring	59914090
05 Temperature regulator	59914193
06 Temperature control handle	59914189
07 Fixing plates with nuts	59914132
08 Battery casing	59914088
09 Battery, 2CR5 6 V	59911670
10 Gasket, 8x14.3x2	59914087
11 Litter filters	59914085
12 One-way valve with litter screen	59914086