

EAN: 4057304003516
static.hansa.com/52942001



- Bathtub
- Two-grip
- Rim mounted
- Chrome
- Fixed spout
- Standard aerator
- Hot/Cold symbols, Two operating levers/handles
- Litter filter(s)
- Inner body made of DZR brass

Technical data

Flow properties

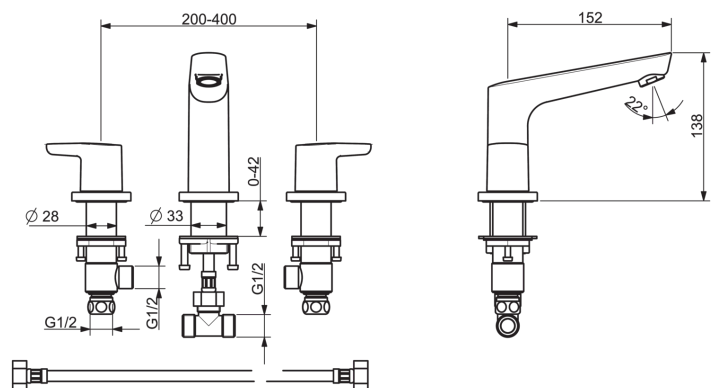
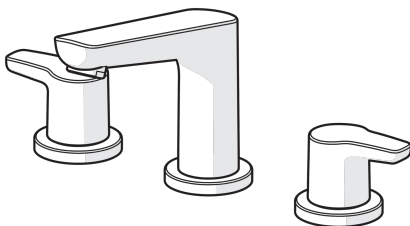
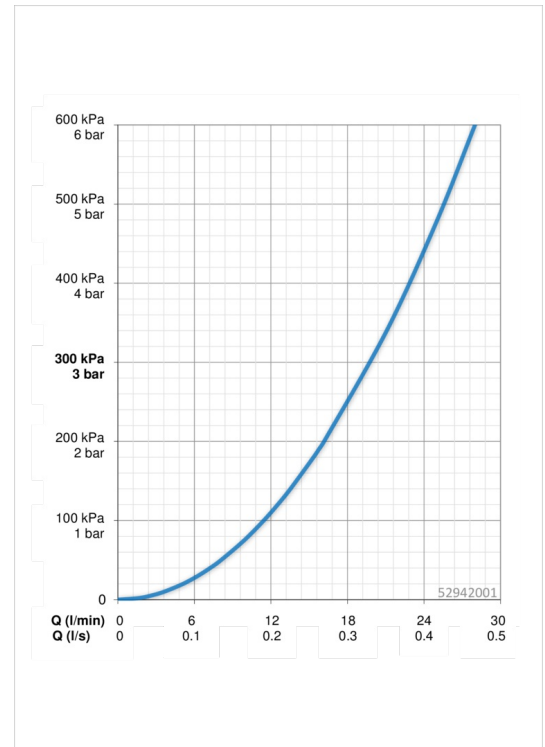
Flow-rate at 3 bar **19.8 l/min**

Technical properties

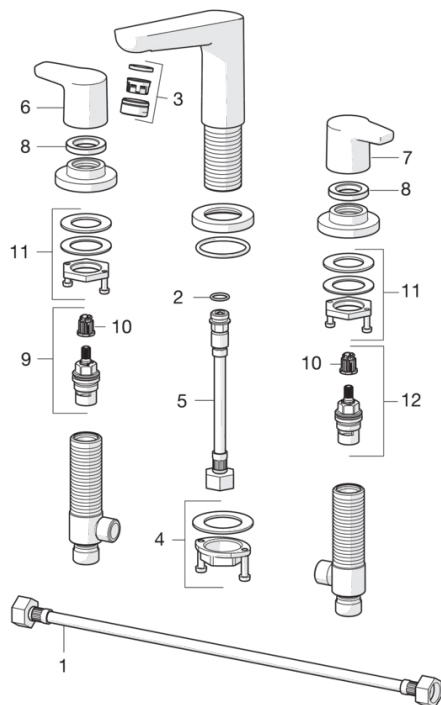
DN-size (nominal dimension) **DN15**
 Hot water supply **max. +80°C**
 Working pressure **0.5-10 bar**
 Connection size **G1/2**
 Projection **135 mm**

Regulations

EN standard **EN 200**



Spare parts



SP52942001

	Name	Code
01	Flexible pipe, L=600, G1/2xG1/2	59914408
02	O-ring, 13X2	59914405
03	Aerator, M24x1 C	59913401
04	Fixing set	59913371
05	Flexible pipe, L=160, G1/2-M10x1	59914407
06	Handle	59914411
07	Handle	59914415
08	Tightening nut, d35,5 x M24 x 1	59912023
09	Headpart, G1/2, SW17	59913224
10	Adapter White	59910235
11	Fixing set	59914403
12	Headpart, G1/2	59913457