

EAN: 4057304006586
static.hansa.com/51792201



electronic basin faucet, DN 15

- Washbasin
- Touchless, Battery-operated, Bluetooth®
- Deck mounted
- Chrome
- Fixed spout
- Hidden aerator
- Temperature control handle
- Push pop-up waste without draw-rod
- Adjustable hot water stop (included, retrofittable)
- Mixing valve for manual temperature control, Non-return valve(s), Litter filter(s)
- Autofocus infrared sensor, Solenoid valve, Low battery indicator
- Flexible inlet pipes
- 3S-installation system for safe and simple mounting, Software settings adjustable via App
- WithoutDrawRodOpening

Technical data

Flow properties

Flow-rate at 3 bar (with flow controller)	6.0 l/min
Pressure loss with flow (0.1 l/s)	2 bar

Technical properties

DN-size (nominal dimension)	DN15
Hot water supply	max. +70°C
Working pressure	1-10 bar
Connection size	G3/8
Projection	138 mm
Material	Brass

Software settings

Afterflow period	3 s (1-20 s)
Automatic flush	off (off/1-120 h)
Automatic flush period	30 s (1-1800 s)
Max. flow period	2 min (1 - 1800 s)

Electronic properties

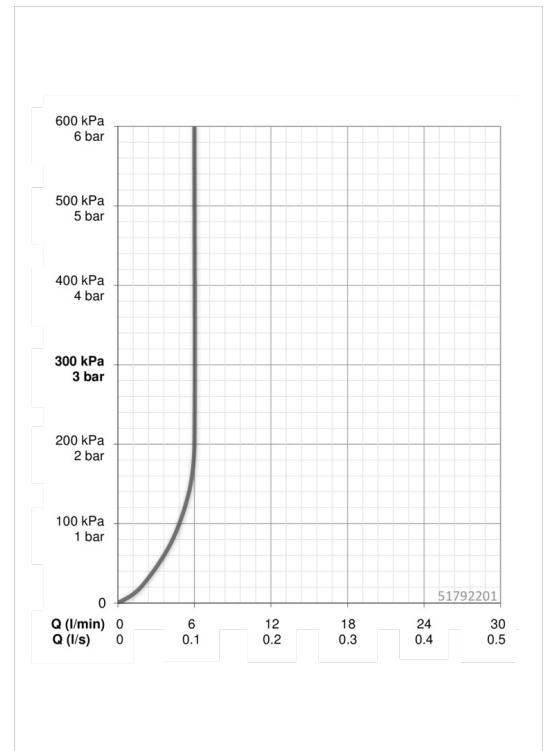
Battery	Lithium 2CR5 6 V
ItemBluetoothVersion	4.x

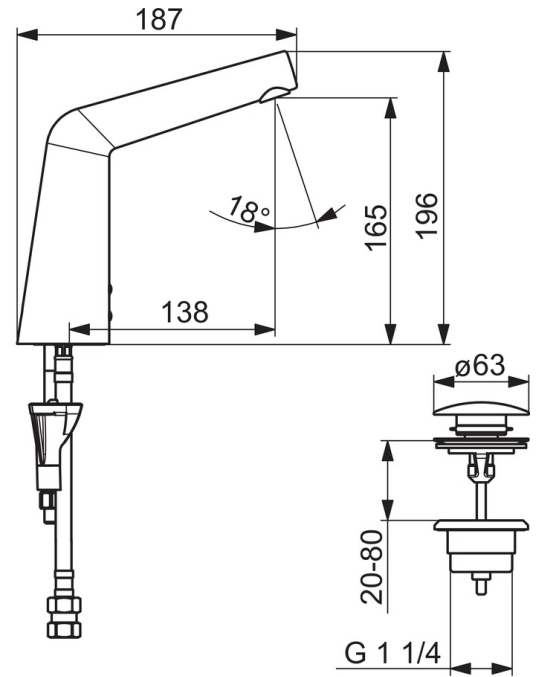
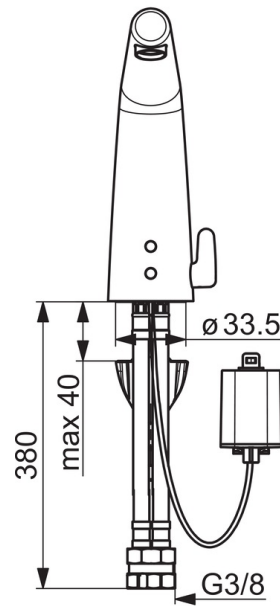
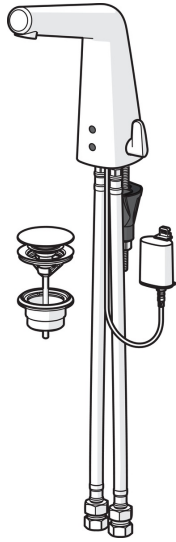
Regulations

EMC Directive	C E 2014/53/EU
EN standard	EN 15091
Noise class	I (ISO 3822)
Protection class	IP 55

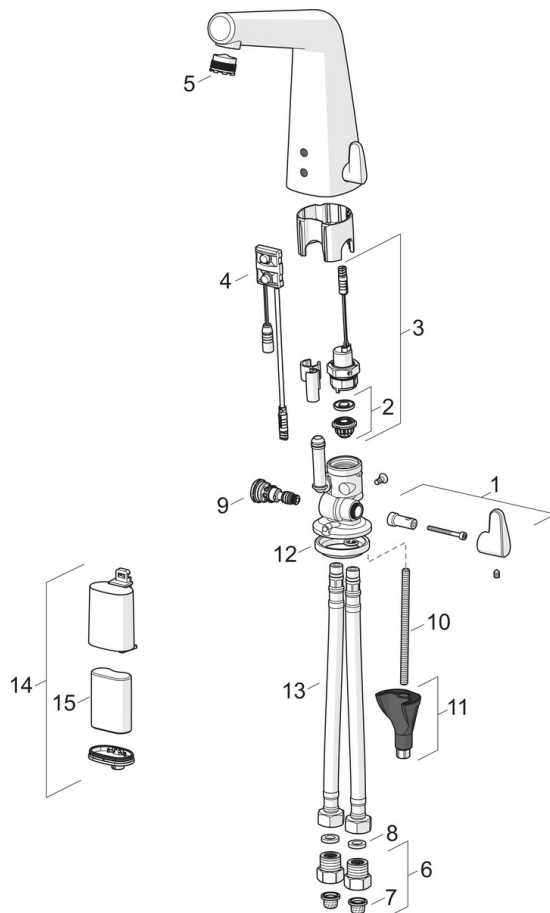
Approvals and Declarations

ItemUN383	UN38-3 Maxell 2CR5
-----------	---------------------------





Spare parts



SP51792201

Name	Code
01 Temperature control handle	59914568
02 Membrane support ring	59914090
03 Solenoid valve	59914091
04 Sensor, 6/9/12 V Bluetooth	59914567
05 Aerator and key, M18.5x1	59914592
06 One-way valve with litter screen	59914086
07 Litter filters	59914085
08 Gasket, 8x14,3x2	59914087
09 Temperature regulator	59914089
10 Fixing screw, M8x1, L=130	59914474
11 Fixing set	59914475
12 Bottom seal	59914591
13 Flexible pipe, L=400, G3/8-M10x1	59914593
14 Battery casing	59914154
15 Battery, 2CR5 6 V	59911670
N.I. Rapid pop-up waste	59913988