

EAN: 4057304015120
static.hansa.com/51692293



- Washbasin
- Single-lever
- Deck mounted
- Chrome
- Fixed spout
- PCA® - constant flow rate regardless of pressure variations
- Single operating lever/handle, Hot/Cold symbols
- \varnothing 25 mm ceramic cartridge for flow and temperature control
- Flexible inlet pipes
- WithoutPopupWaste, WithoutDrawRodOpening

Technical data

Flow properties

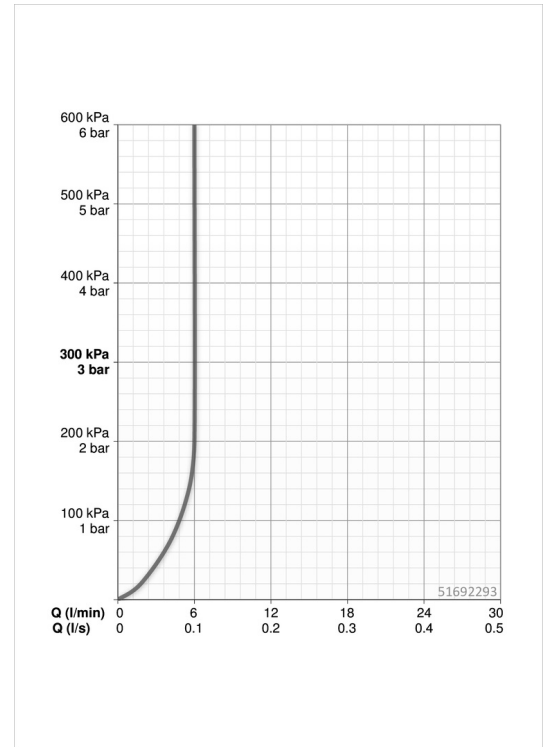
Flow-rate at 3 bar (with flow controller) **6.0 l/min**

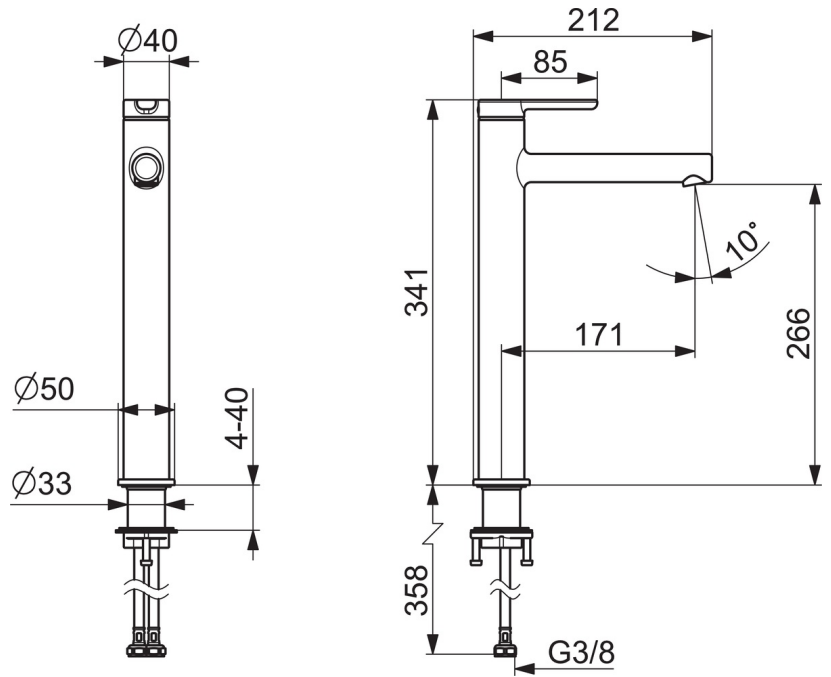
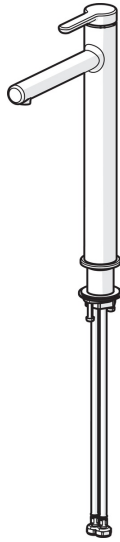
Technical properties

DN-size (nominal dimension) **DN15**
 Hot water supply **max. +80°C**
 Working pressure **0.5-10 bar**
 Connection size **G3/8**
 Projection **171 mm**
 Material **Brass**

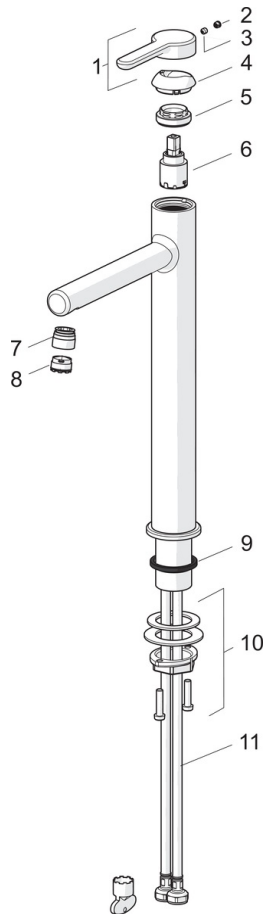
Regulations

EN standard **EN 817**
 Noise class **I (ISO 3822)**





Spare parts



SP51692293

	Name	Code
01	Lever	59914637
02	Cover plug	59913762
03	Screw, M5x8, SW2.5	59904755
04	Covering cap	59914638
05	Tightening nut, M32x1, SW24	59913958
06	Cartridge, 2.5	59913914
07	Fitting ring for aerator	59914645
08	Aerator, M18.5x1, TJ	59913366
09	Bottom seal	59914650
10	Fixing set	59913371
11	Flexible pipe, L=620, G3/8-M10x1	59914289