

EAN: 4057304002892
static.hansa.com/51591193



- Kitchen
- Single-lever, Low pressure
- Deck mounted
- Chrome
- Swivel spout, Swivel range limiting option
- Laminar stream, Standard aerator
- Hot/Cold symbols, Single operating lever/handle
- Limitation option for maximum temperature and flow-rate, Adjustable hot water stop (included, retrofittable)
- \varnothing 35 mm ceramic cartridge for flow and temperature control
- Flexible inlet pipes
- Inner body made of DZR brass, Rapid installation system

Technical data

Flow properties

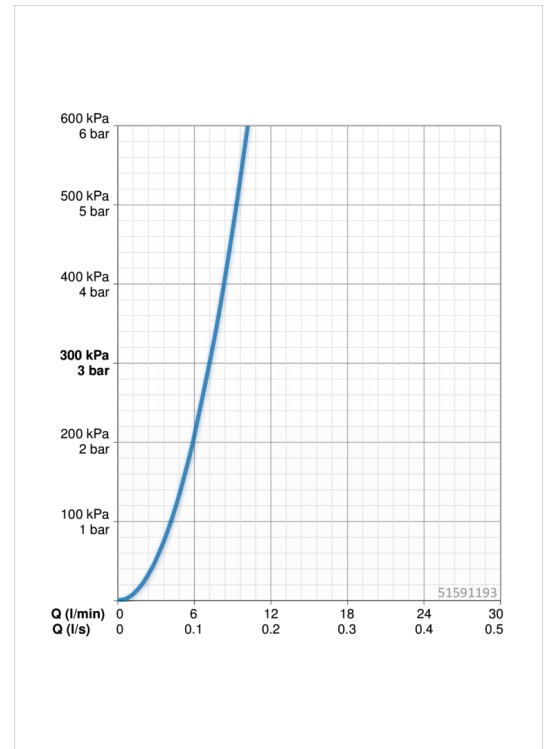
Flow-rate at 3 bar **7.2 l/min**

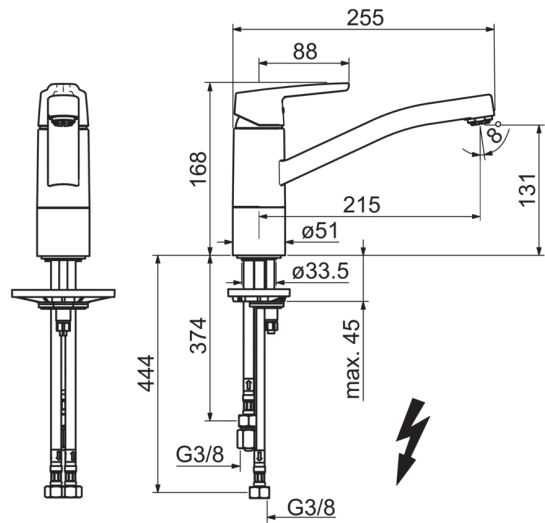
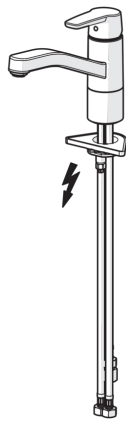
Technical properties

DN-size (nominal dimension) **DN15**
 Hot water supply **max. +80°C**
 Working pressure **0.5-5 bar**
 Connection size **G3/8**
 Projection **215 mm**
 Material **Brass**

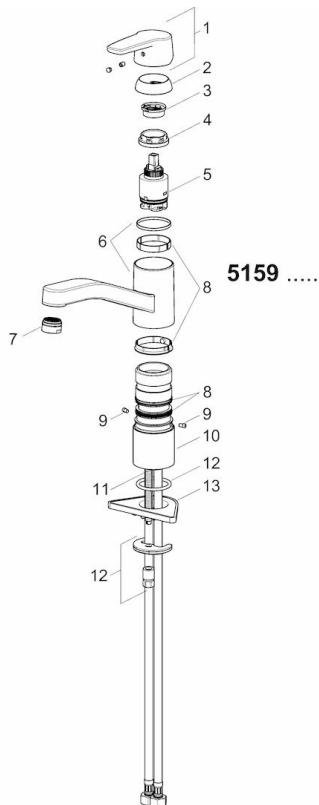
Regulations

EN standard **EN 817**
 Noise class **I(ISO3822)**





Spare parts



SP51591193

	Name	Code
01	Lever	59914417
02	Covering cap, 33 x 3 mm	59912504
03	Temperature adjustment limiter	59912325
04	Tightening nut, M37x1, AF30	59912111
05	Cartridge, 3.5 Classic	59913075
06	Spout	59914432
07	Aerator, M24x1, Low pressure	59902692
08	Sealing kit	59913968
09	Spout overturning stopper	59914437
10	Raising socket	59913973
11	Fixing screw, M8x1, L=140	59912474
12	Fixing set	59910749
13	Supporting plate	59910008