

EAN: 4057304002878
static.hansa.com/514822930037



- Kitchen
- Single-lever
- Deck mounted
- Chrome
- Swivel spout, Swivel range limiting option
- Standard aerator
- Hot/Cold symbols, Single operating lever/handle
- Limitation option for maximum temperature and flow-rate, Adjustable hot water stop (included, retrofittable)
- \varnothing 35 mm ceramic cartridge for flow and temperature control
- Flexible inlet pipes
- Rapid installation system

Technical data

Flow properties

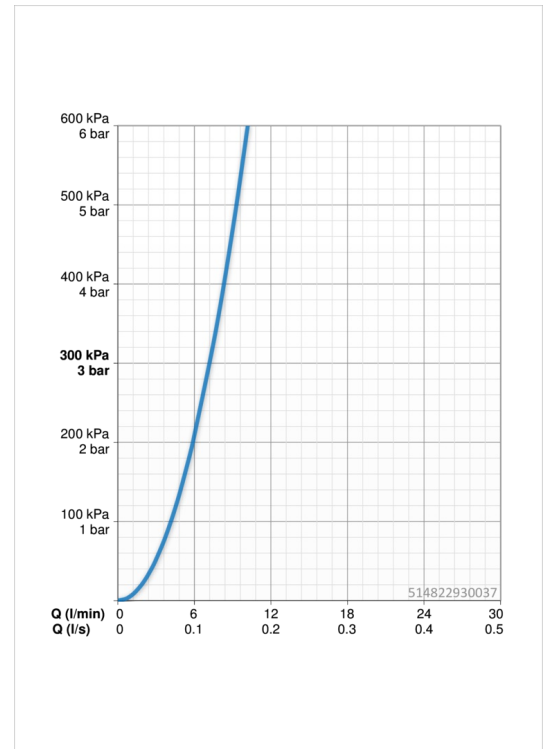
Flow-rate at 3 bar **7.2 l/min**

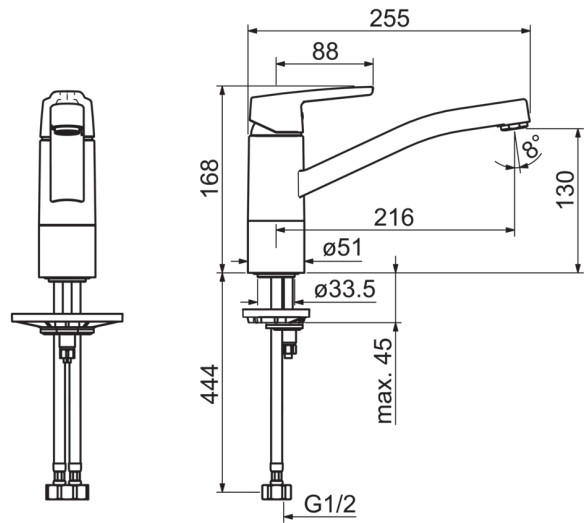
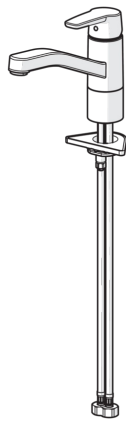
Technical properties

DN-size (nominal dimension) **DN15**
 Hot water supply **max. +80°C**
 Working pressure **0.5-10 bar**
 Connection size **G1/2**
 Projection **216 mm**
 Material **Brass**

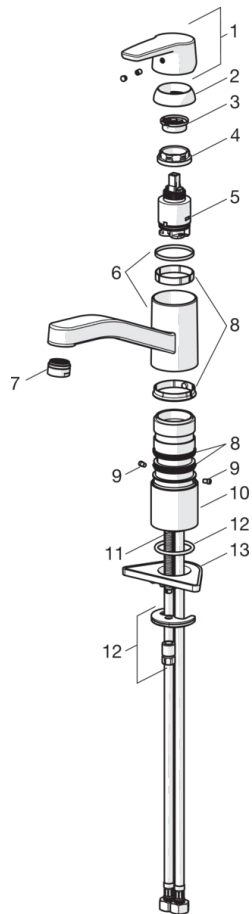
Regulations

EN standard **EN 817**





Spare parts



SP514822930037

	Name	Code
01	Lever	59914417
02	Covering cap, 33 x 3 mm	59912504
03	Temperature adjustment limiter	59912325
04	Tightening nut, M37x1, AF30	59912111
05	Cartridge, 3.5 Classic	59913075
06	Spout	59914432
07	Aerator, M24x1	59914461
08	Sealing kit	59913968
09	Spout overturning stopper	59914437
10	Raising socket	59913973
11	Fixing screw, M8x1, L=140	59912474
12	Fixing set	59910749
13	Supporting plate	59910008
N.I.	Flexible pipe, L=500, M8x1 LH 1/2 (519222830037)	59914644