

EAN: 4015474171756
static.hansa.com/50918191



- Public & Semi-public
- Single-lever
- Deck mounted
- Chrome
- Fixed spout
- Hidden aerator
- Single operating lever/handle
- Ceramic head part for flow control, Non-return valve(s), Thermostatic cartridge for automatic temperature control
- One inlet for cold or premixed water
- Inner body made of DZR brass
- WithoutPopupWaste

Technical data

Flow properties

Flow-rate at 3 bar **6.0 l/min**

Technical properties

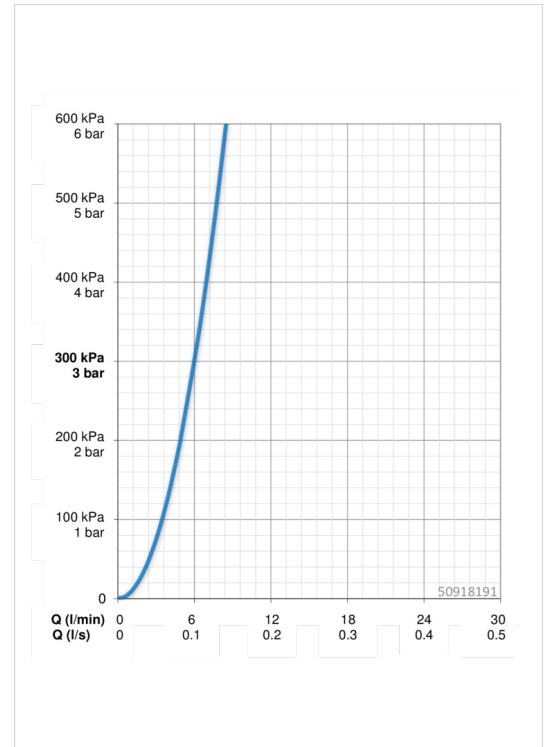
DN-size (nominal dimension) **DN15**
 Hot water supply **max. +90°C**
 Working pressure **0.5-10 bar**
 Connection size **G1/2**
 Projection **131 mm**
 Material **Brass**

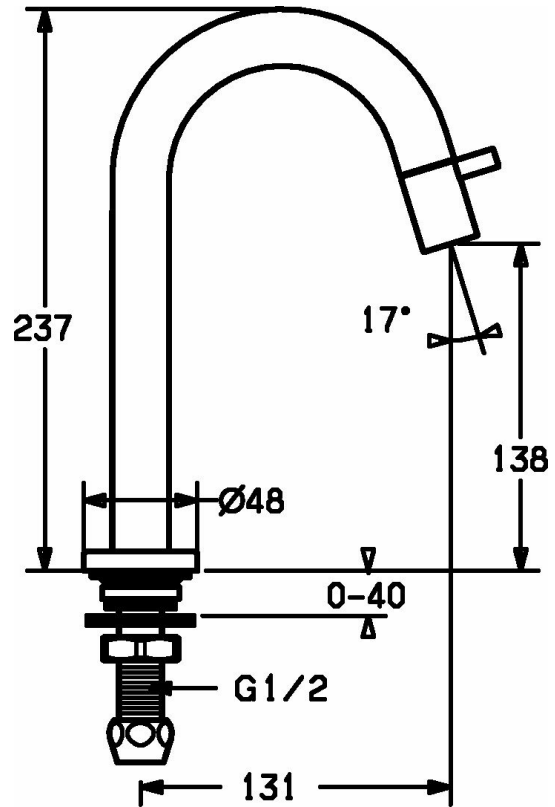
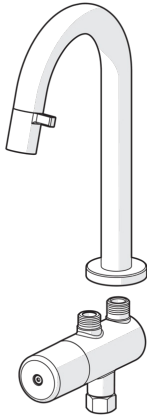
Regulations

EN standard **EN 817**

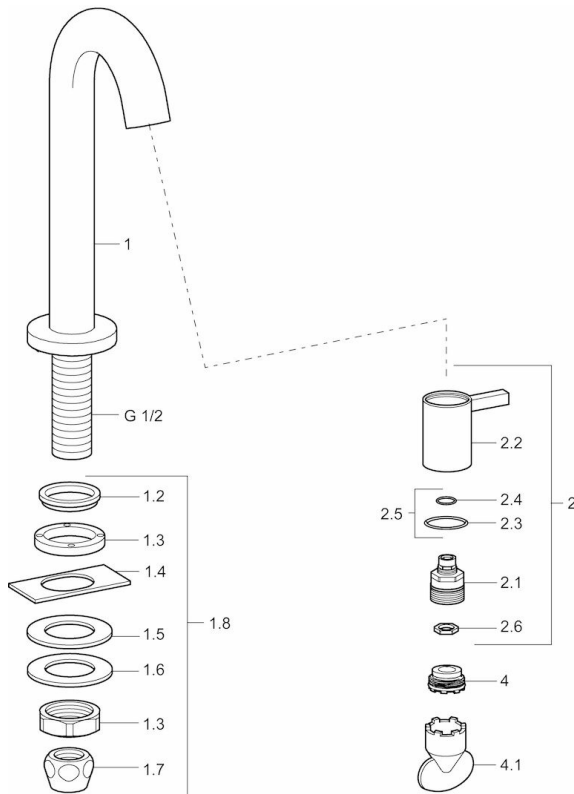
Approvals and Declarations

KIWA **K100538/01**





Spare parts



SP50938101

	Name	Code
1.2	Gasket Discontinued	59902296
1.3	Fitting nut, G1/2, SW32	59902245
1.4	Protective piece	59905535
1.5	Gasket, 45x23x2	59902282
1.6	Gasket, 45x24x0.5	59902328
1.7	Sealing kit Discontinued	59910707
1.8	Fixing set	59912335
2	Headpart	59913321
2	Headpart White	5991332182
2	Headpart Black	5991332184
2	Headpart Brushed steel	5991332196
2.1	Headpart	59913323
2.2	Lever	59913322
2.2	Lever White Discontinued	5991332282
2.2	Handle Black Discontinued	5991332284
2.2	Handle Brushed steel Discontinued	5991332296
2.5	O-ring kit	59913320
4	Aerator, M21.5x1, JR Z, (-2014)	59913318
4	Aerator, M21.5x1	59913598
4.1	Key for aerator, M21,5 x 1	59913133