

EAN: 4015474254466  
[static.hansa.com/49512203](http://static.hansa.com/49512203)



- Bathtub
- Single-lever
- Rim mounted
- Chrome
- Standard aerator
- Hot/Cold symbols, Single operating lever/handle
- Pull operated diverter, Automatic reset
- Limitation option for maximum temperature and flow-rate, Adjustable hot water stop (included, retrofittable)
- Non-return valve(s),  $\varnothing$  35 mm ceramic cartridge for flow and temperature control
- Flexible inlet pipes
- Inner body made of DZR brass
- protected against back-flow in domestic use (according to DIN EN 1717)

## Technical data

### Flow properties

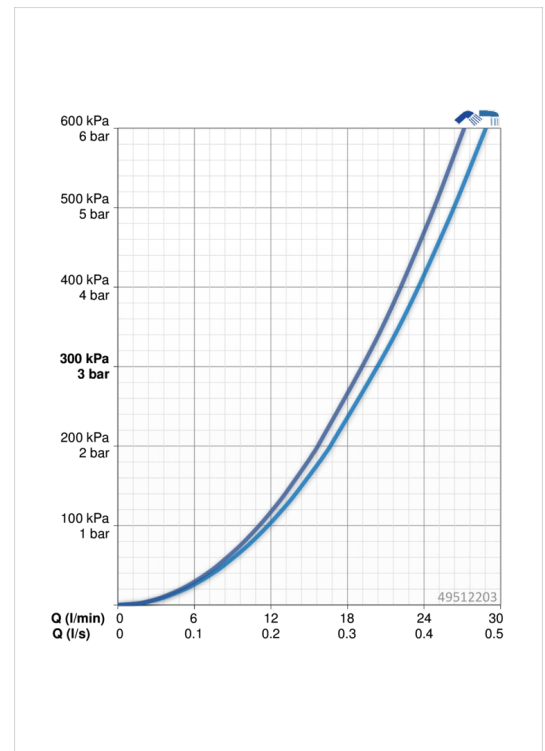
Flow-rate at 3 bar **20.4 / 19.2 l/min**

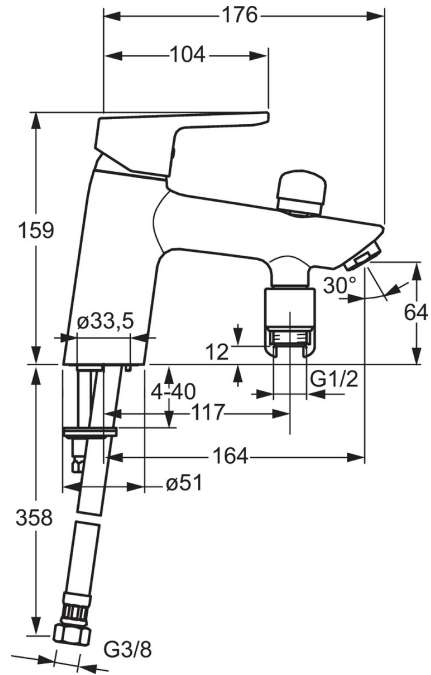
### Technical properties

DN-size (nominal dimension) **DN15**  
 Hot water supply **max. +90°C**  
 Working pressure **0.5-10 bar**  
 Connection size **G3/8**  
 Projection **164 mm**

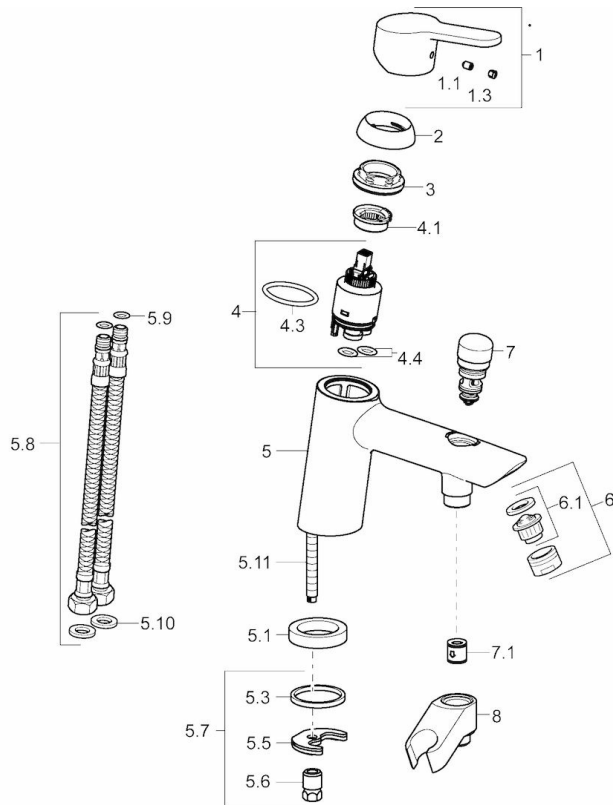
### Regulations

EN standard **EN 817**





## Spare parts



### SP49512203

	Name	Code
1	Lever	59913827
1.1	Screw, M5x8, SW2.5	59904755
1.3	Symbol plug Grey	59912112
2	Covering cap, 33 x 3 mm	59912504
3	Tightening nut, M40x1, SW30	59913210
4	Cartridge, 3.5 Eco	59912324
4	Cartridge, 3.5 Classic	59913075
4.1	Temperature adjustment limiter	59912325
4.3	O-ring, d 28.24x2.62	59912590
4.4	O-ring, d 10.10x1.60	59905072
5.1	Spacer ring	59906787
5.10	Gasket, 9.5x14.4x2	59912551
5.11	Fixing screw, M8x1, L=140	59912474
5.3	Gasket, 43x37x3	59912506
5.5	Fixing plate	59904765
5.6	Screw, M8x1, SW13	59904766
5.7	Fixing set	59910749
5.8	Flexible pipe, L=430, G3/8-M10x1	59912515
5.9	O-ring, d 7.65x1.78	59902337
6	Aerator, M24x1 D	59911829
7	Diverter	59912656
7.1	Non-return valve	59905714
8	Holder	59912880
N.I.	Key, SW 30/34	59912108