

EAN: 4057304003790  
[static.hansa.com/45372283](http://static.hansa.com/45372283)



- Bathtub
- Single-lever
- Rim mounted
- Chrome
- Standard aerator
- Hot/Cold symbols, Single operating lever/handle
- Pull operated diverter, Automatic reset
- Limitation option for maximum temperature and flow-rate, Adjustable hot water stop (included, retrofittable)
- Non-return valve(s),  $\varnothing$  40 mm ceramic cartridge for flow and temperature control
- 3S-installation system for safe and simple mounting, Inner body made of DZR brass

## Technical data

### Flow properties

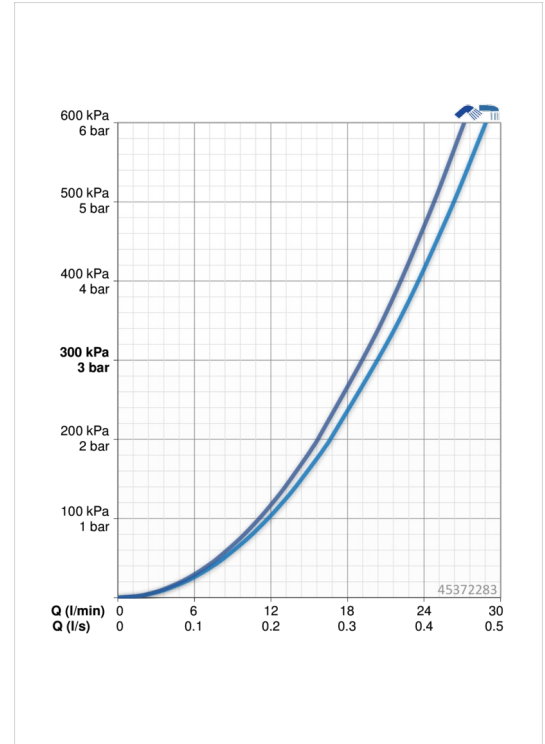
Flow-rate at 3 bar **20.4 / 19.2 l/min**

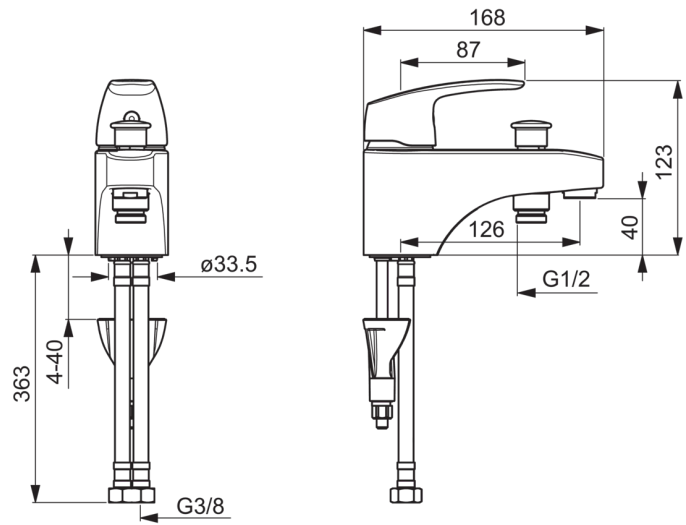
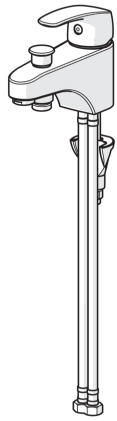
### Technical properties

DN-size (nominal dimension) **DN15**  
 Hot water supply **max. +90°C**  
 Working pressure **0.5-10 bar**  
 Projection **125 mm**

### Regulations

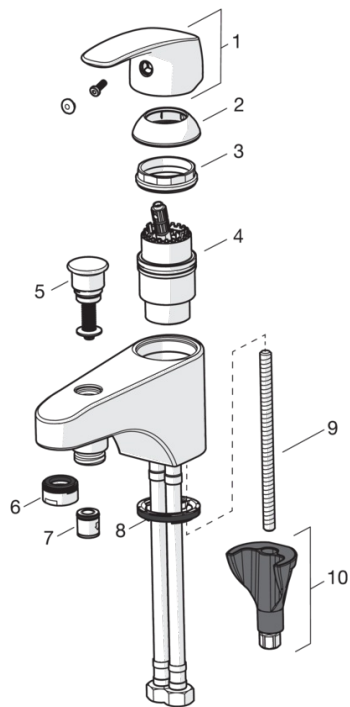
EN standard **EN 817**





## Spare parts

### SP45372283



	Name	Code
01	Lever	59914453
02	Covering cap	59914454
03	Tightening nut, M42 x1,5, SW 38	59914128
04	Cartridge, 4.0 Classic	59914129
05	Diverter	59914487
06	Aerator, M24x1 C uk	59914488
07	Non-return valve, DN 15	59914250
08	Bottom seal	59913653
09	Fixing screw, M8x1, L=130	59914474
10	Fixing set	59914475