

EAN: 4057304003011
static.hansa.com/45120183



- Shower solutions
- Single-lever
- Wall mounted
- Chrome
- Hot/Cold symbols, Single operating lever/handle
- The housing of the fittings conducts minimal heat, Limitation option for maximum temperature and flow-rate, Adjustable hot water stop (included, retrofittable)
- Non-return valve(s), \varnothing 40 mm ceramic cartridge for flow and temperature control
- Eccentric coupling(s)
- Inner body made of DZR brass
- protected against back-flow in domestic use (according to DIN EN 1717)

Technical data

Flow properties

Flow-rate at 3 bar **16.8 l/min**

Technical properties

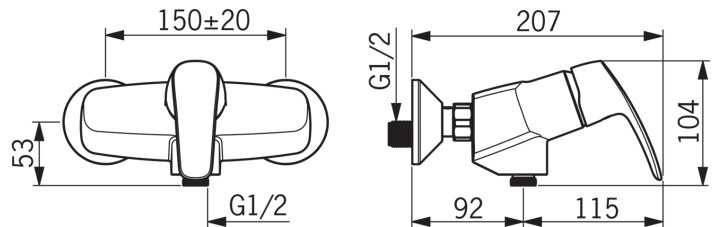
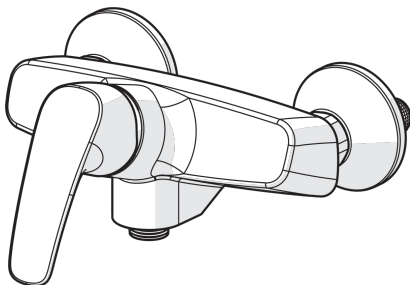
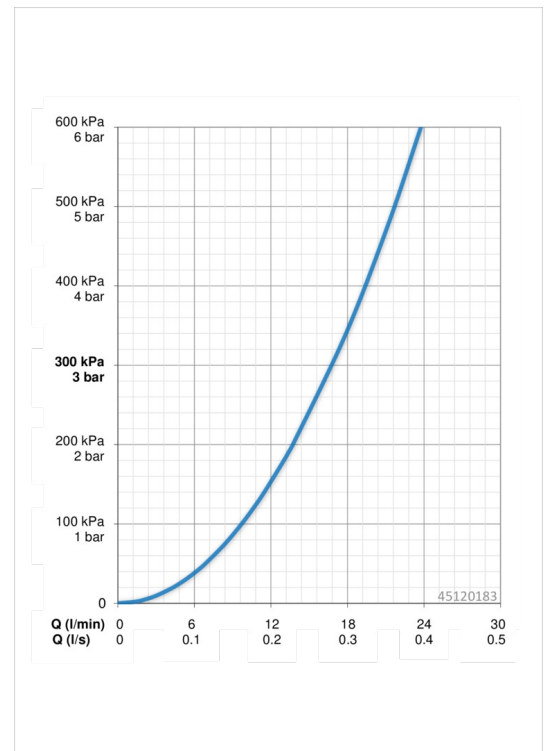
DN-size (nominal dimension) **DN15**
 Hot water supply **max. +90°C**
 Working pressure **0.5-10 bar**

Regulations

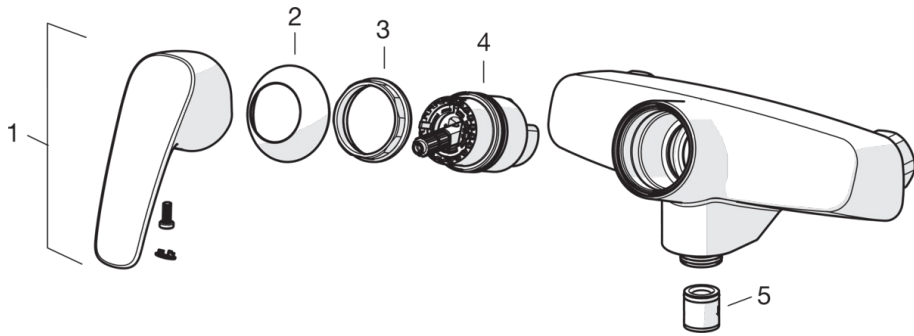
EN standard **EN 817**

Approvals and Declarations

KIWA **K6116/08**



Spare parts



SP45120183

	Name	Code
01	Lever	59914453
02	Covering cap Discontinued	59914495
03	Tightening nut, M42 x1,5, SW 38	59914128
04	Cartridge, 4.0 Classic	59914129
05	Non-return valve	59905714