

**HANSASIGNATUR**
**COVER PART FOR WASHBASIN FAUCET, 230/12 V**
**44912010**
**EAN: 4015474277892**


- Bathroom
- Trim Kit, Touchless, External transformer
- Chrome
- Fixed spout
- Hidden aerator
- Temperature control handle
- External control unit, Infrared sensor
- Settings adjustable via magnetic key

**Technical data**
**Flow properties**

Flow-rate at 3 bar

**6.6 l/min**
**Technical properties**

 Hot water supply  
 Working pressure  
 Connection size

**max. +70°C**  
**1-10 bar**  
**G3/8**
**Software settings**

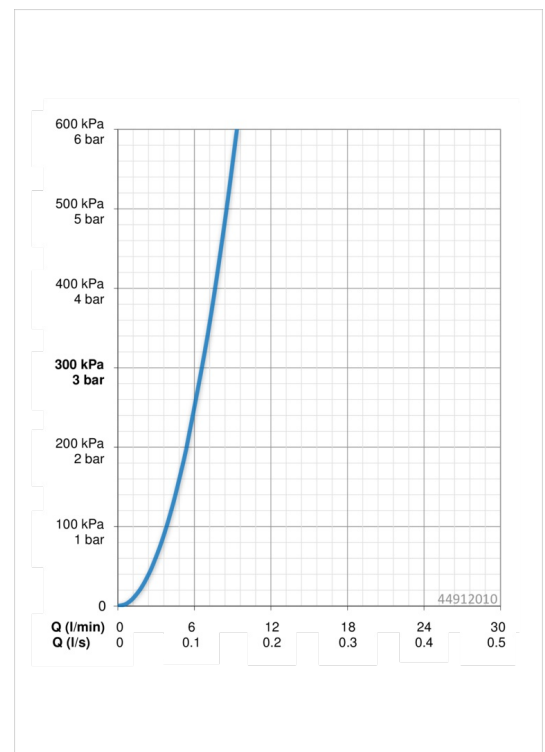
 Afterflow period  
 Automatic flush  
 Automatic flush period  
 Max. flow period

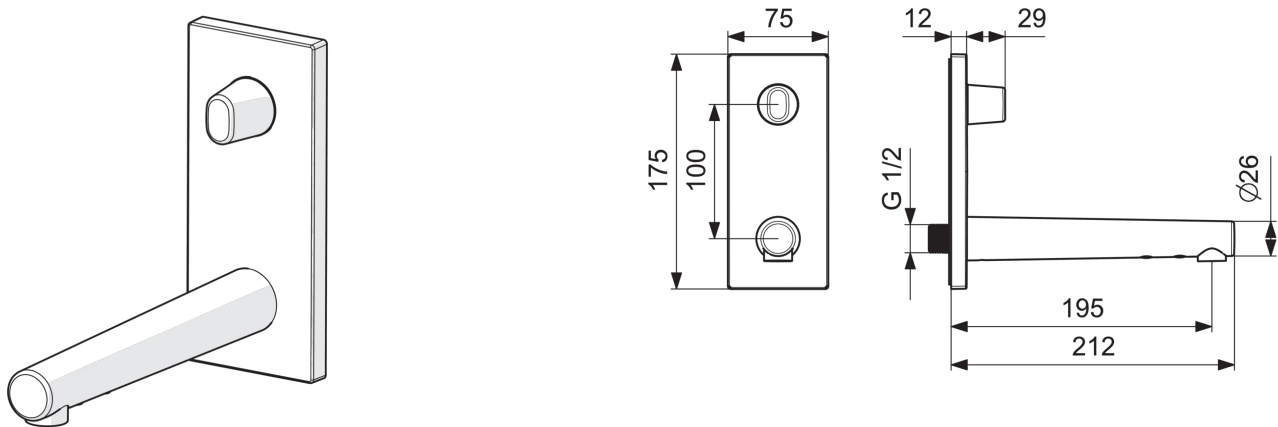
**2 s ± 1 s (1/2/3/4/8 s)**  
**off (off/12/24/48/72 h)**  
**30 s (10/30/60/120/180/240/300/600 s)**  
**120 s (10/30/60/120/300 s)**
**Electronic properties**

Electrical Connection

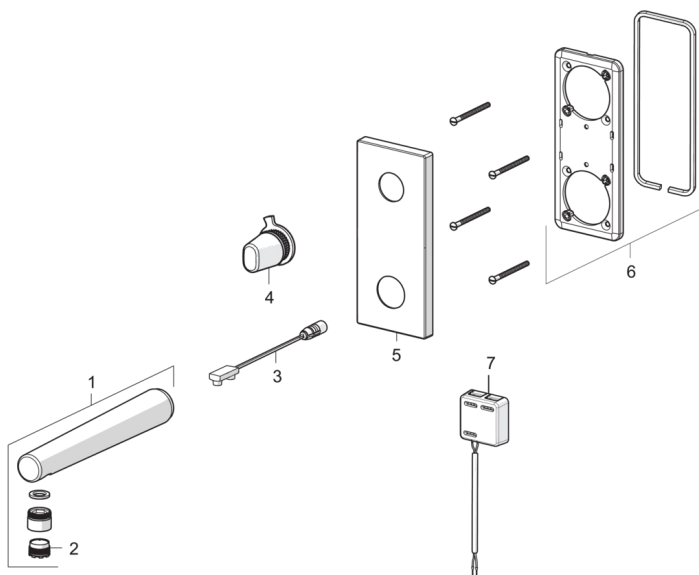
**230 / 12 V**
**Regulations**

 EMC Directive  
 EN standard  
 Protection class

**CE 2004/108/EY**  
**EN 15091**  
**IP 55 / transformer IP 40**




## Spare parts



### SP44912010

	Name	Code
1	Spout, ( 44922010 )	59914519
1	Spout, (44912010)	59914355
2	Aerator, M18.5x1 Z	59914102
3	Sensor, 6 V	59914356
4	Temperature control handle	59914357
5	Cover plate	59914358
6	Cover plate holder	59913697
7	Control unit, 12 V	59914359