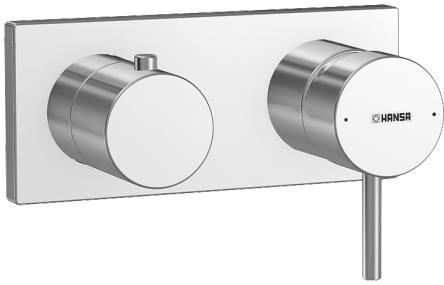


EAN: 4015474232303
static.hansa.com/44579503



- Bathtub
- Single-lever, Trim Kit
- Concealed wall mounting
- Chrome
- Pin shape, Single operating lever/handle, Hot/Cold symbols
- Rosetteplateframe, Squarewallrosette, Sleeve, BLUECLICK
- with 2-way-diverter

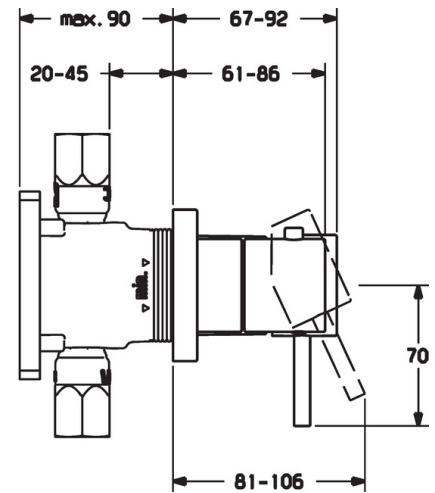
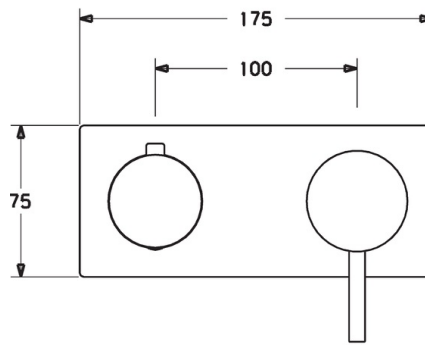
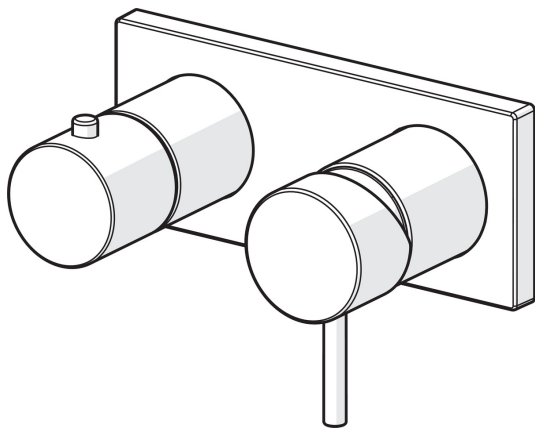
Technical data

Technical properties

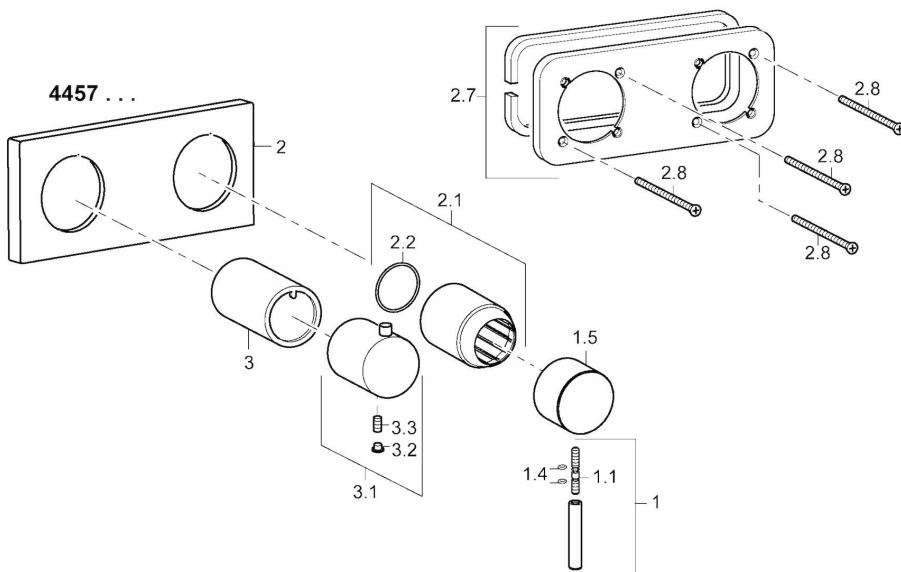
Hot water supply **max. +90°C**
 Working pressure **0.5-10 bar**

Regulations

EN standard **EN 817**



Spare parts



SP44579503

	Name	Code
1	Lever, 45 mm (2011-)	59913272
1.1	Screw, M5x28, SW2.5	59913273
1.4	O-ring, d 3x1.5	59913100
1.5	Cap, (2011-)	59913271
2	Cover plate, 175 x 75	59913734
2.1	Covering cap, (2011-)	59912511
2.2	O-ring, 41x3	59913215
2.7	Cover plate holder	59913697
2.8	Screw, M4 x 55	59913698
3	Bushing	59913702
3.1	Handle	59913724
3.2	Cover plug	59911840
N.I.	Raising kit, 20 mm	59913591