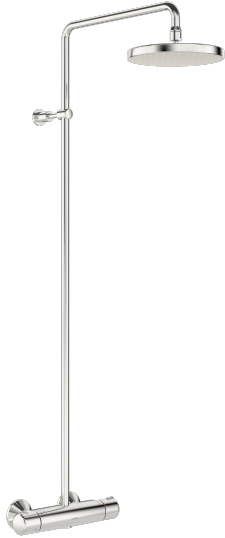


EAN: 4057304010958
static.hansa.com/44350100



- Shower
- Thermostatic
- Wall mounted
- Chrome
- Temperature control handle, Flow control handle
- Overhead shower, Variable fixing points, Rotatable ball joint connection, Anti limescale technology (easy to clean)
- Rain
- Safety stop against scalding at 38°C, The housing of the fittings conducts minimal heat
- Ceramic head part for flow control, Thermostatic cartridge for automatic temperature control, Non-return valve(s), Litter filter(s)
- Eccentric coupling(s), External thread, Cover plate(s)
- Flexible length / can be shortened

Technical data

Flow properties

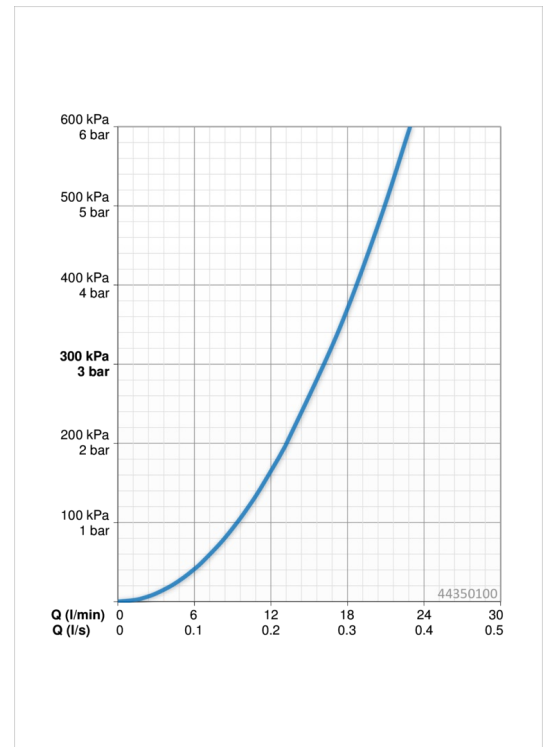
Flow-rate at 3 bar	16.2 l/min
Pressure loss with flow (0.2 l/s)	1.7 bar

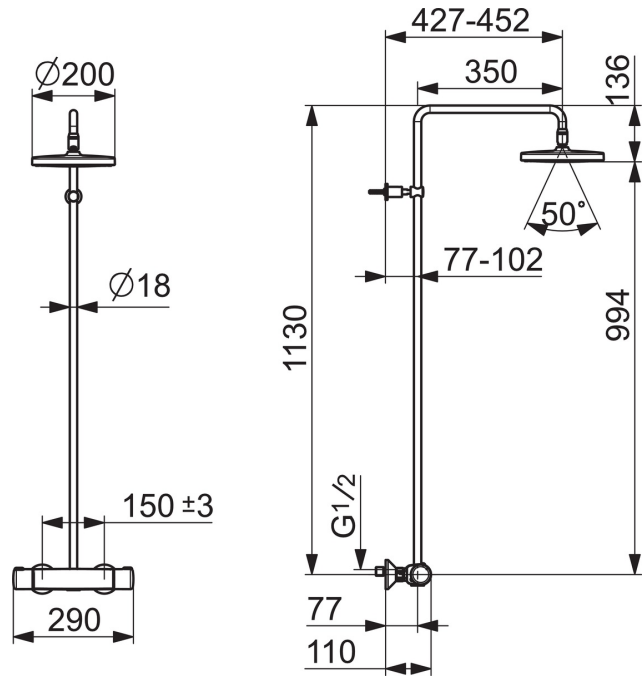
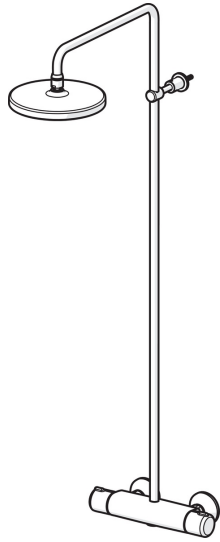
Technical properties

DN-size (nominal dimension)	DN 15
Hot water supply	max. +65°C
Working pressure	1-10 bar
Connection size	G1/2
Installation width	CC150± 15 mm
Projection	427 - 452 mm
Material	Brass

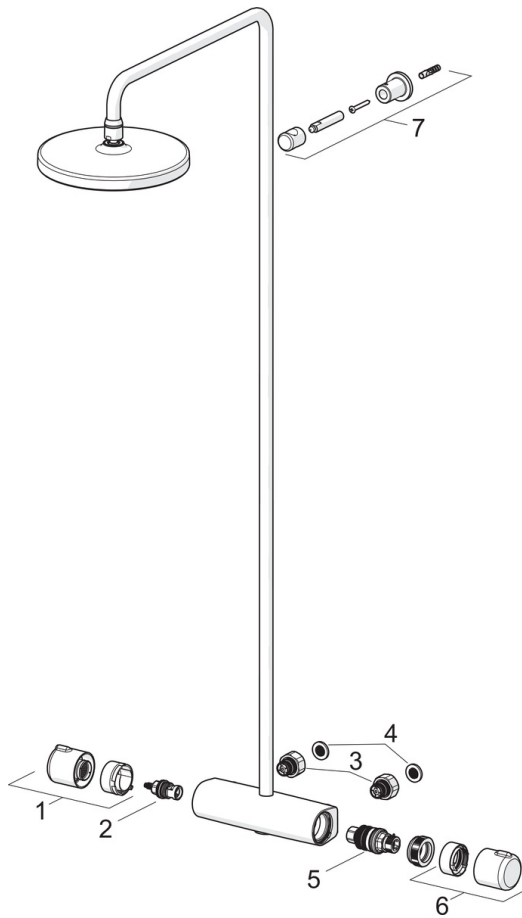
Regulations

EN standard	EN 1111
Noise class	I (ISO 3822)





Spare parts



SP44350100

	Name	Code
01	Flow control handle	59914395
02	Headpart, G1/2	59914207
03	Combiner	59914472
04	Filter sealing, G3/4	59911076
05	Thermostatic cartridge, 3.4	59914114
06	Temperature control handle	59914396
07	Shower pipe holder	59914773
N.I.	Overhead shower, d 200 mm	44740100