

EAN: 4015474238886
static.hansa.com/44310100



- Shower
- Accessories
- Chrom
- Technologie proti usazeninám (snadno se čistí)
- Laminární proud
- Filtr(y) na nečistoty

Technical data

Flow properties

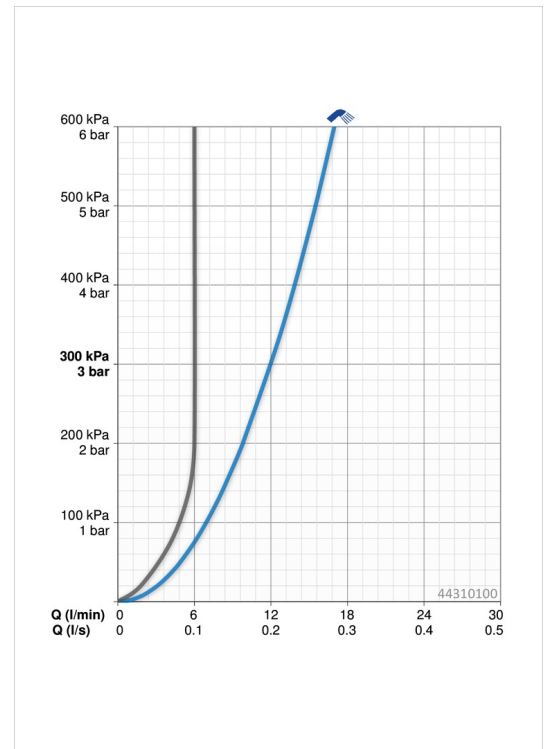
Flow-rate at 3 bar	12.0 l/min
Flow-rate at 3 bar (with flow controller)	6.0 l/min

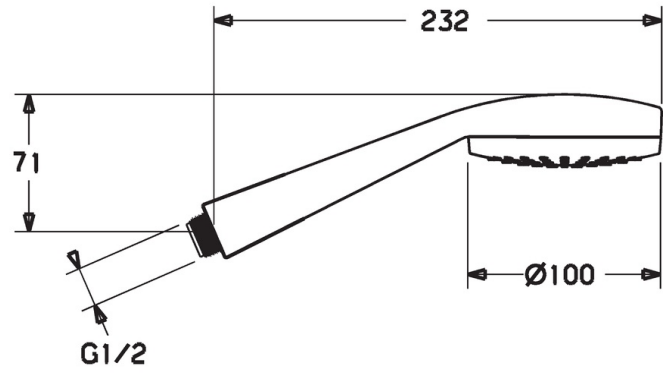
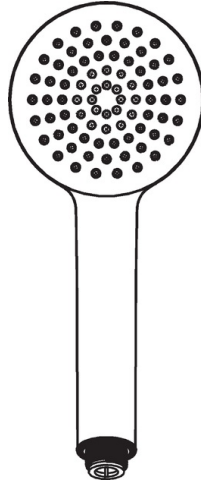
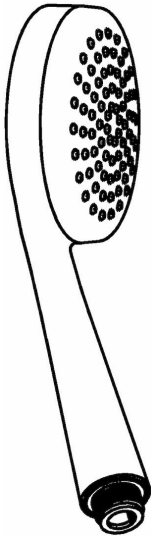
Technical properties

Hot water supply	max. +65°C
Working pressure	0.5-5 bar
Connection size	G1/2
Material	Kompozit

Regulations

EN standard	EN 1112
-------------	----------------





Spare parts

SP44310100

Name	Code
N.I. Filtr	59906859

CONTENT NOT AVAILABLE