

EAN: 4015474274679
static.hansa.com/40529083



- Bathtub
- Single-lever, Trim Kit
- Concealed wall mounting
- Chrome
- Turn operated diverter
- Limitation option for maximum temperature and flow-rate, Adjustable hot water stop (included, retrofittable)
- \varnothing 35 mm ceramic cartridge for flow and temperature control
- Roundwallrosette, FunctionUnitFixedWithScrews
- WithoutOperationLever

Technical data

Flow properties

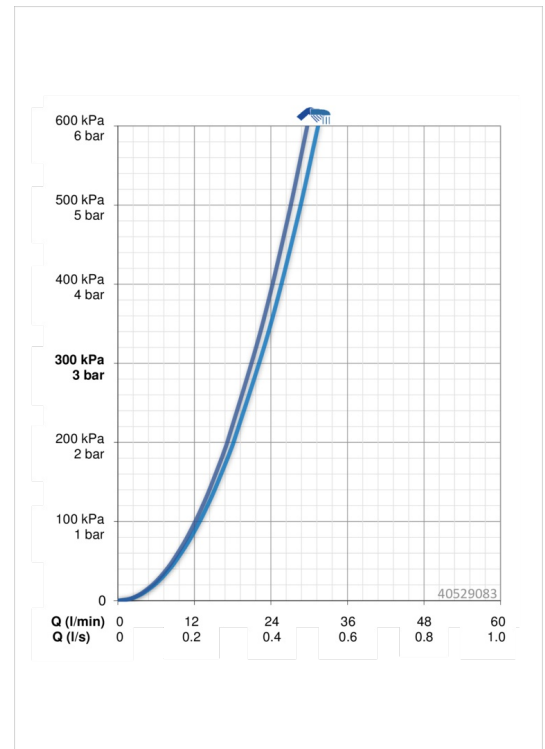
Flow-rate at 3 bar **22.2 / 21.0 l/min**

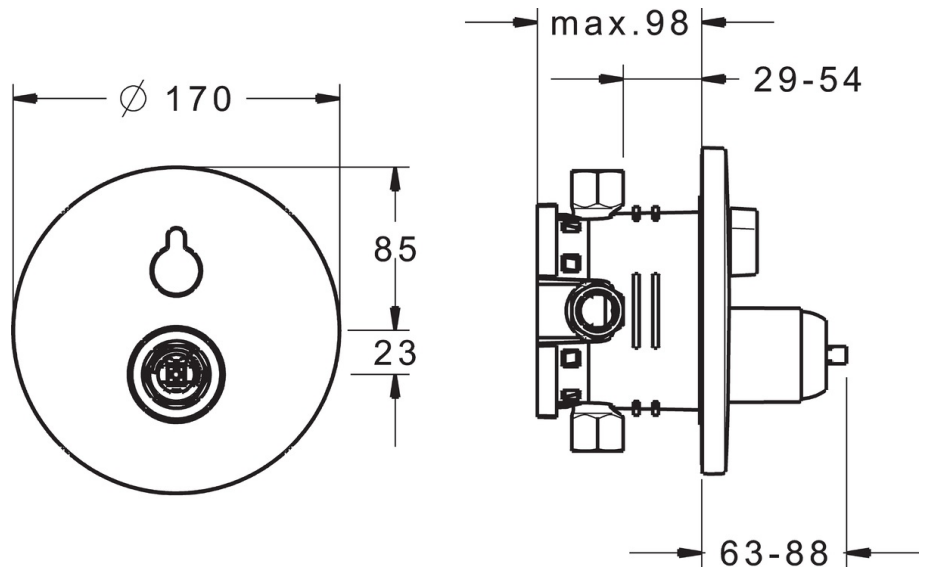
Technical properties

Hot water supply **max. +90°C**
 Working pressure **0.5-10 bar**

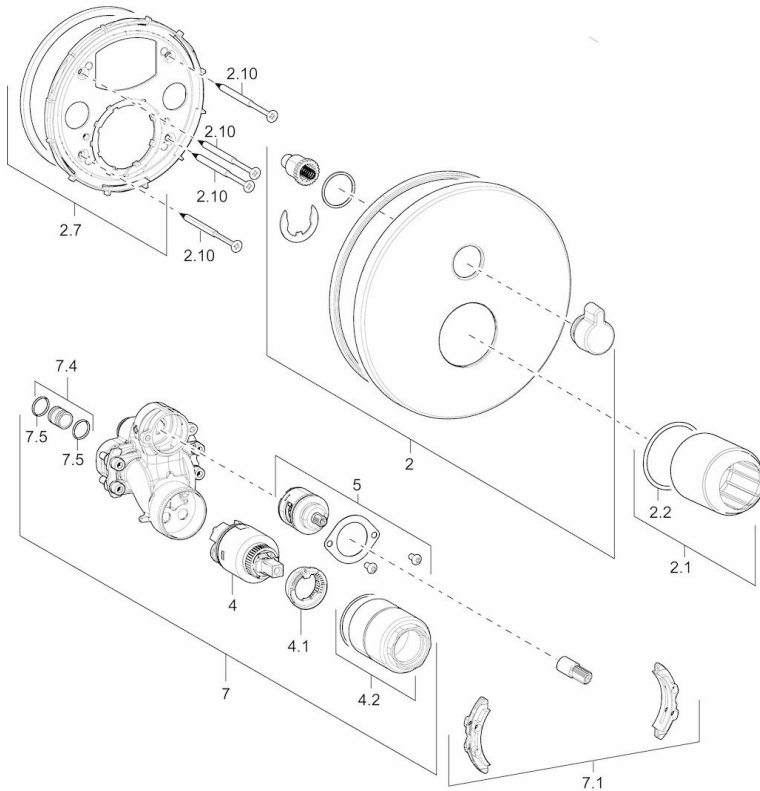
Regulations

EN standard **EN 817**





Spare parts



SP40529083

	Name	Code
2	Cover flange, 170 mm	59914221
2.1	Covering cap, (2011-)	59912511
2.10	Screw, M4.5x80	59912890
2.2	O-ring, 41x3	59913215
2.7	Accessory bag	59914218
4	Cartridge, 3.5 Classic	59913075
4.1	Temperature adjustment limiter	59912325
4.2	Screw sleeve, M38x1	59912115
5	Diverter/Cartridge	59914183
7	Functional unit, 3.5	59914216
7.1	Accessory bag	59914217
7.4	Connection nipple, (2014-)	59913885
7.5	O-ring, d 14,0 x d 2,0	59912982
N.I.	Raising kit, 20 mm	59912754
N.I.	Vacuum breaker	59914059