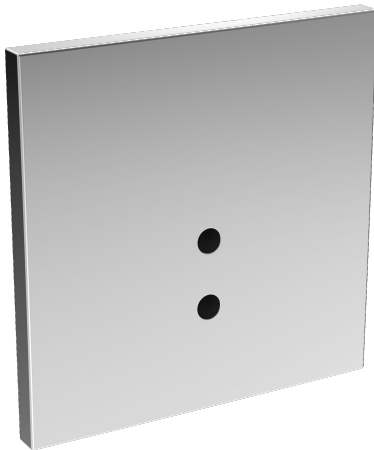


HANSAELECTRA

COVER PART FOR URINAL FLUSHER, 12 V

09469172

EAN: 4015474277397



- Bathroom, Public & Semi-public
- Trim Kit, Touchless, External transformer
- Chrome
- Autofocus infrared sensor, Solenoid valve
- Twist resistant rosette

Technical data

Flow properties

Flow-rate at 3 bar **12.0 l/min**

Technical properties

Hot water supply **max. +70°C**
Working pressure **0.5-10 bar**

Software settings

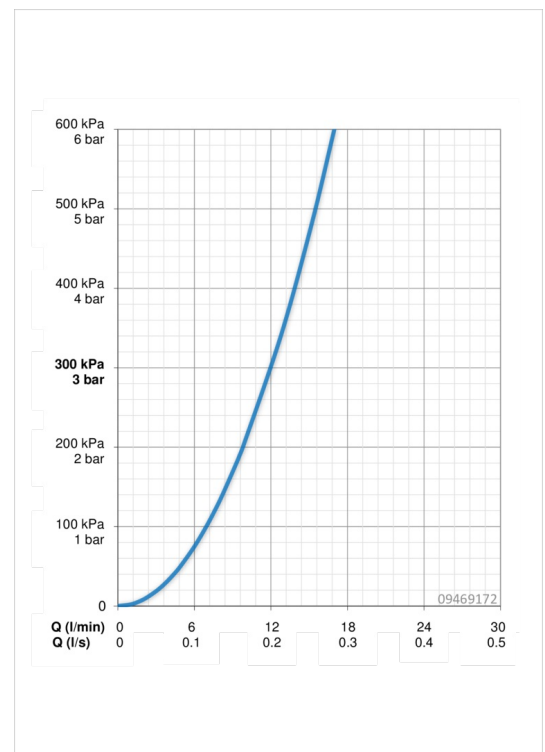
Afterflush period **6 s (3 / 6 / 10 s)**
Automatic flush **24 h (off / 24h)**
Automatic flush period **6 s**
Pre-flush period **2 s (OFF / 2 s)**

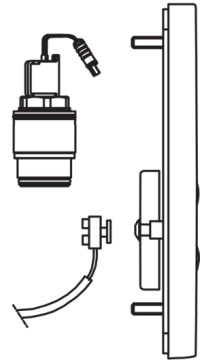
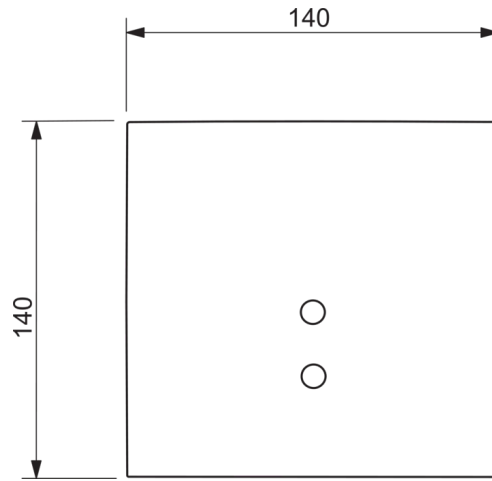
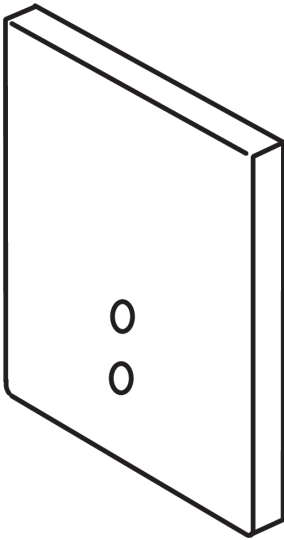
Electronic properties

Electrical Connection **12 VDC**

Regulations

EMC Directive **CE 2004/108/EY**
EN standard **EN 15091**
Protection class **IP 55**





Spare parts

SP09469172

	Name	Code
1	Sensor, 12 V	59914258
2	Membrane housing	59914231
3	Pilot valve, 6 V	59914232

