

EAN: 4057304014420
static.hansa.com/08866200



- HealthCare
- Thermostatic, Touchless, Bluetooth®, Battery-operated
- Wall mounted
- Chrome
- Temperature control handle
- The housing of the fittings conducts minimal heat
- Thermostatic cartridge for automatic temperature control, Non-return valve(s), Litter filter(s)
- Autofocus infrared sensor, Solenoid valve, Low battery indicator
- Eccentric coupling(s), Cover plate(s), with integrated shut-off valve(s), Silencer(s), Cover plate triple sealed
- Inner body made of DZR brass, Waterways without nickel coating, Thermal disinfection without cartridge readjustment, Software settings adjustable via App
- Safety lock against scalding 38°C (36°-44°)

Technical data

Flow properties

Flow-rate at 3 bar **12.0 l/min**

Technical properties

Hot water supply **max. +70°C**
 Working pressure **1-10 bar**
 Connection size **G1/2**
 Installation width **CC150± 10 mm**
 Material **Brass**

Software settings

Afterflow period **5 s (1-20 s)**
 Automatic flush **off (off/1-120 h)**
 Automatic flush period **30 s (1-1800 s)**
 Max. flow period **5 min (1 - 1800 s)**

Electronic properties

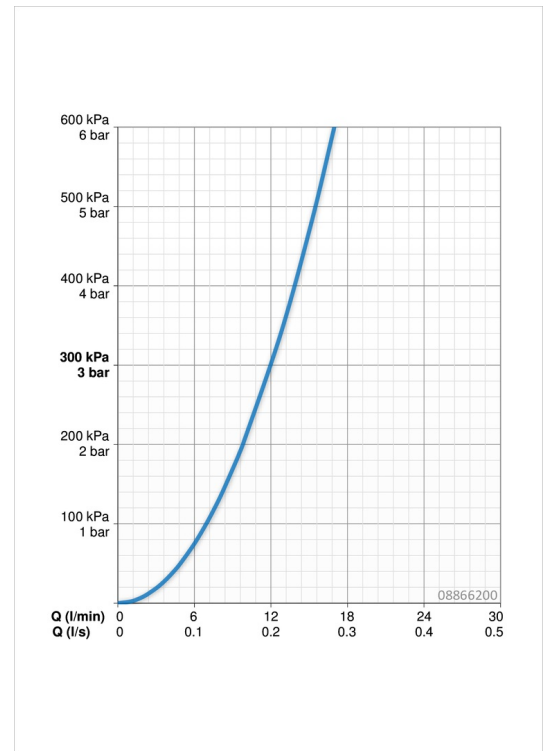
Battery **Lithium 2CR5 6 V**
 ItemBluetoothVersion **4.x**

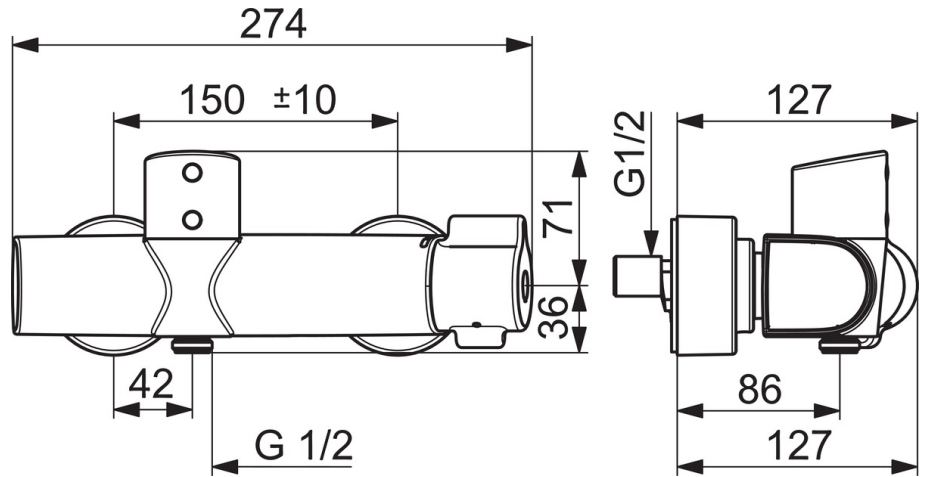
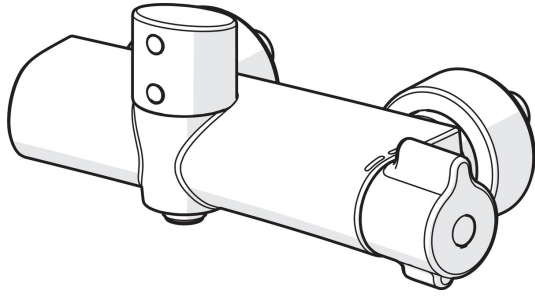
Regulations

EMC Directive **C E 2014/53/EU**
 EN standard **EN 1111 , EN 15091**
 Noise class **I (ISO 3822)**
 Noise class 0.2 l/s **I (ISO 3822)**
 Protection class **IP 55**

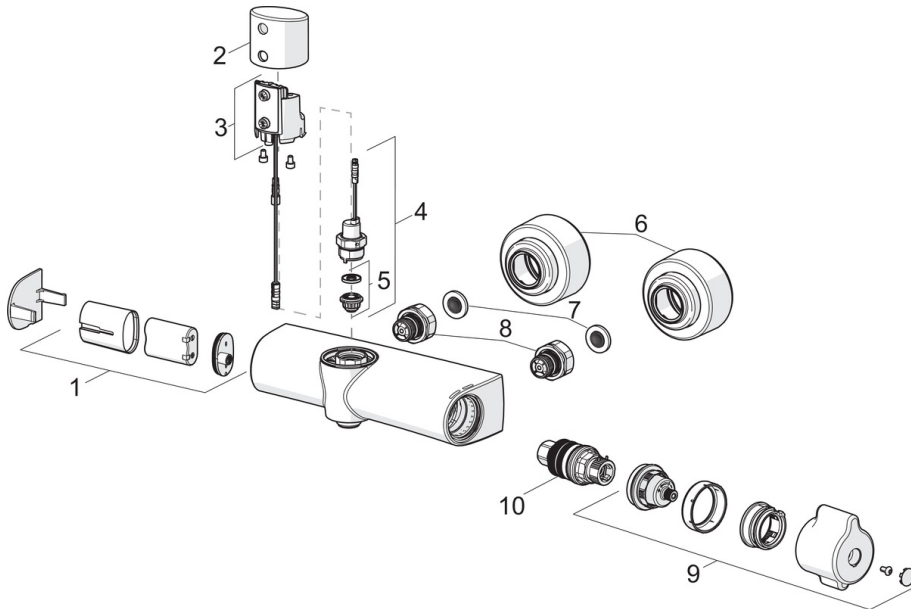
Approvals and Declarations

ItemUN383 **UN38-3 Maxell 2CR5**





Spare parts



SP08866200

Name	Code
01 Battery casing	59914154
02 Sensor holder	1006102V
03 Sensor, 6/9/12 V Bluetooth	1008025V
04 Solenoid valve, 3 V	1006792V
05 Membrane	59914150
06 Cover flange	1006473V
07 Filter sealing, G3/4	59911076
08 Combiner	59914472
09 Temperature control handle	1006058V
10 Thermostatic cartridge, 3.4	59914114