

EAN: 4057304013430
static.hansa.com/08806200



- Shower
- HealthCare
- Thermostatic
- Wall mounted
- Chrome
- Temperature control handle, Flow control handle, Eco feature for water flow
- The housing of the fittings conducts minimal heat
- Ceramic head part for flow control, Thermostatic cartridge for automatic temperature control, Non-return valve(s), Litter filter(s)
- Eccentric coupling(s), Cover plate(s), with integrated shut-off valve(s), Silencer(s), Cover plate triple sealed
- Inner body made of DZR brass, Waterways without nickel coating, Thermal disinfection without cartridge readjustment
- Safety lock against scalding 38°C (36°-44°)

Technical data

Flow properties

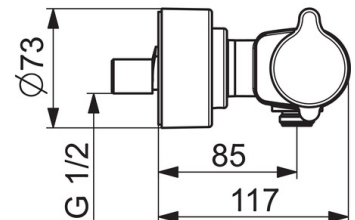
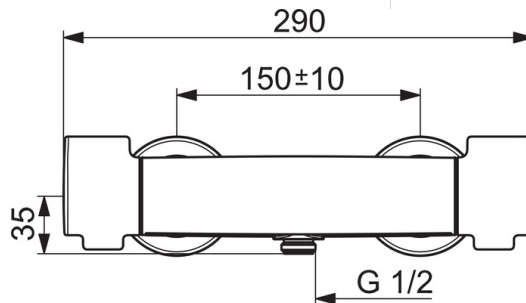
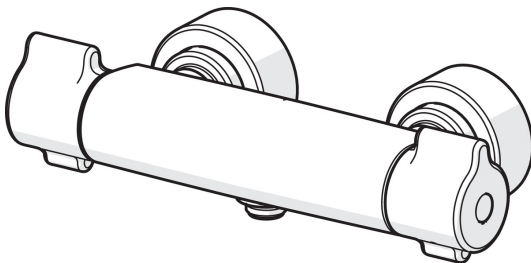
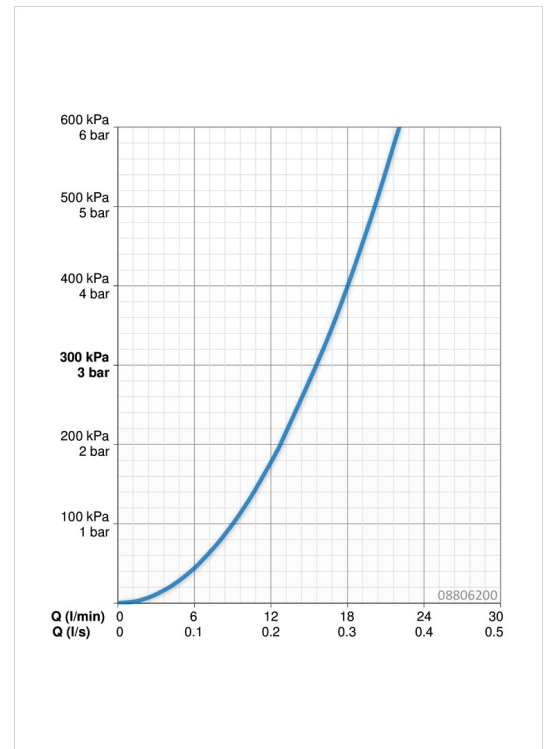
Flow-rate at 3 bar **15.6 l/min**

Technical properties

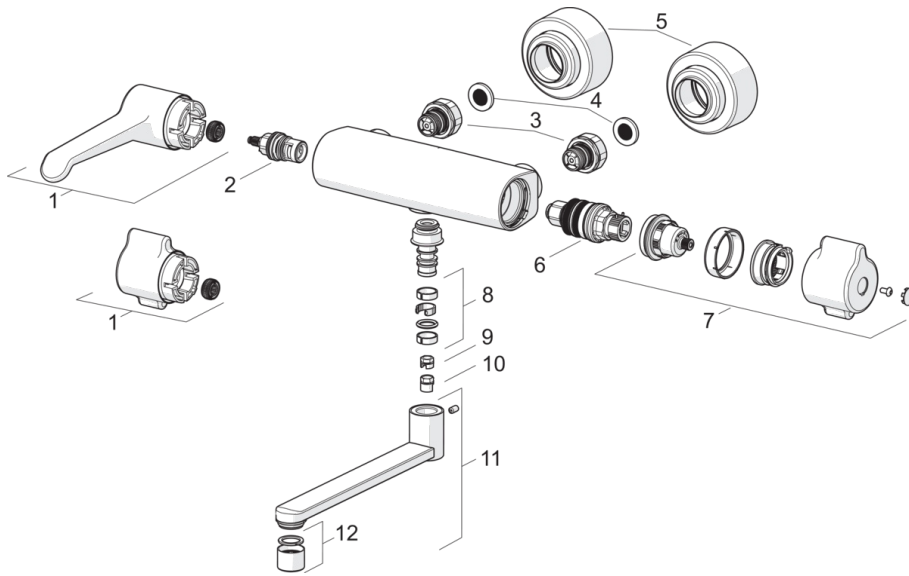
Hot water supply **max. +90°C**
 Working pressure **1-10 bar**
 Connection size **G1/2**
 Installation width **CC150± 10 mm**
 Material **Brass**

Regulations

EN standard **EN 1111**
 Noise class **I (ISO 3822)**
 Noise class 0.2 l/s **I (ISO 3822)**



Spare parts



SP08806202

	Name	Code
01	Flow control handle, L=150 mm	59914757
01	Flow control handle	59914756
02	Headpart, G1/2	59914207
03	Combiner	59914472
04	Filter sealing, G3/4	59911076
05	Cover flange	59914758
06	Thermostatic cartridge, 3.4	59914114
07	Temperature control handle	59914759
08	Sealing kit for spout	59914720
09	Limiter, 120°	59914728
10	Spout overturning stopper, 60° / 0°	59914264
11	Spout, L=200	59914659
12	Aerator, M22x1 PL HC STD A Laminar	59914732