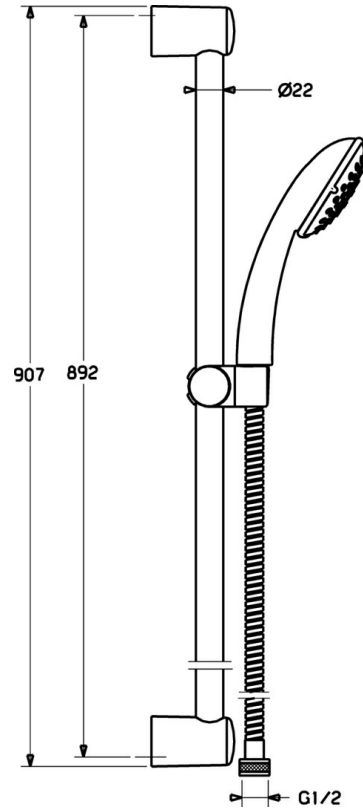
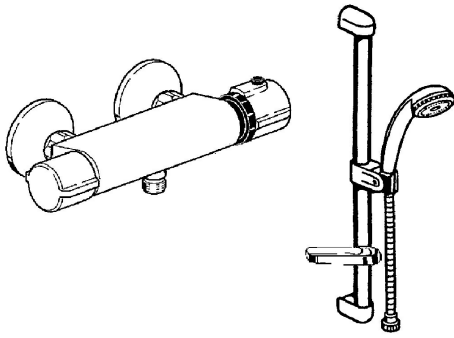


EAN: 4015474042919
static.hansa.com/08420191



- Shower solutions
- Thermostatic
- Wall mounted
- Chrome
- Temperature control handle, Flow control handle
- Thermostatic cartridge for automatic temperature control, Litter filter(s), Non-return valve(s)
- Silencer(s)



Technical data

Flow properties

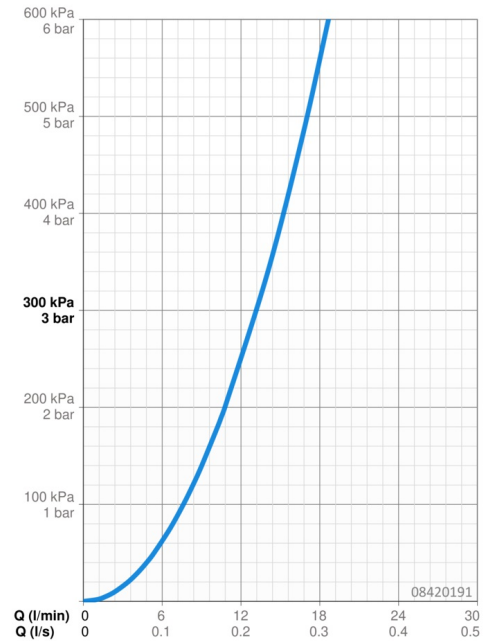
Flow-rate at 3 bar **13.2 l/min**

Technical properties

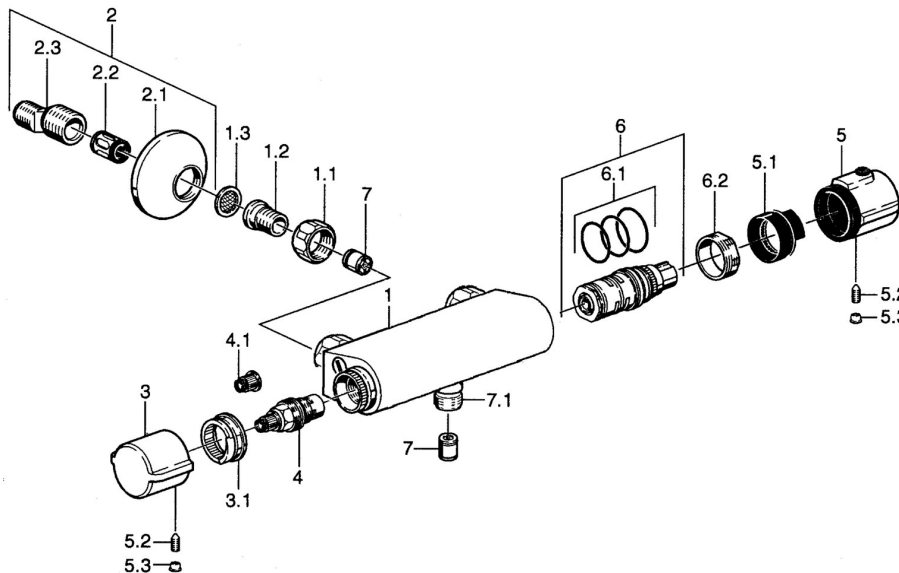
Hot water supply **max. +80°C**
 Working pressure **1-10 bar**
 Backflow prevention (EN1717) **EB**

Regulations

EN standard **EN 1111**



Spare parts



SP08420101

	Name	Code
1.1	Connection nut, G3/4, AF30	59902230
1.2	Nipple	59911075
1.3	Filter sealing, G3/4	59911076
2	Eccentric, G3/4xG1/2	59904793
2.1	Cover flange	59904796
2.2	Silencer	59904792
2.3	Eccentric connector, G3/4xG1/2, DN15	59910254
3	Flow control handle	59911828
3.1	Adjusting ring	59911661
4	Headpart, G1/2, 180°	59911103
4.1	Adapter White	59910235
5	Temperature control handle, 38° limited	59911725
5	Temperature control handle	59911827
5.1	Temperature adjustment limiter	59911660
5.2	Screw, M6x9.5	59901609
5.3	Cover plug	59911840
6	Thermostatic cartridge	59911525
6.1	O-ring, d 26x2	59911081
6.2	Tightening nut, M34x1, SW32	59911082
7	Non-return valve	59905714
7.1	Thread nipple, G1/2xM18x1	59911384
N.I.	Thermostatic cartridge, H/C reversed	59911527