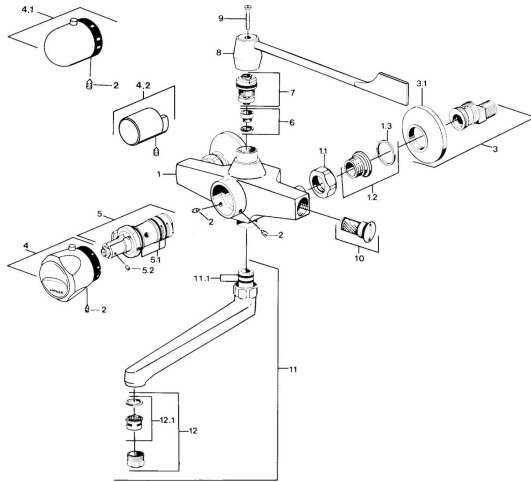


HANSAMAT

WASHBASIN FAUCET

08392201

EAN: 4057304013744



- Bathroom
- Chrome

- Temperature control handle
- Non-return valve(s)

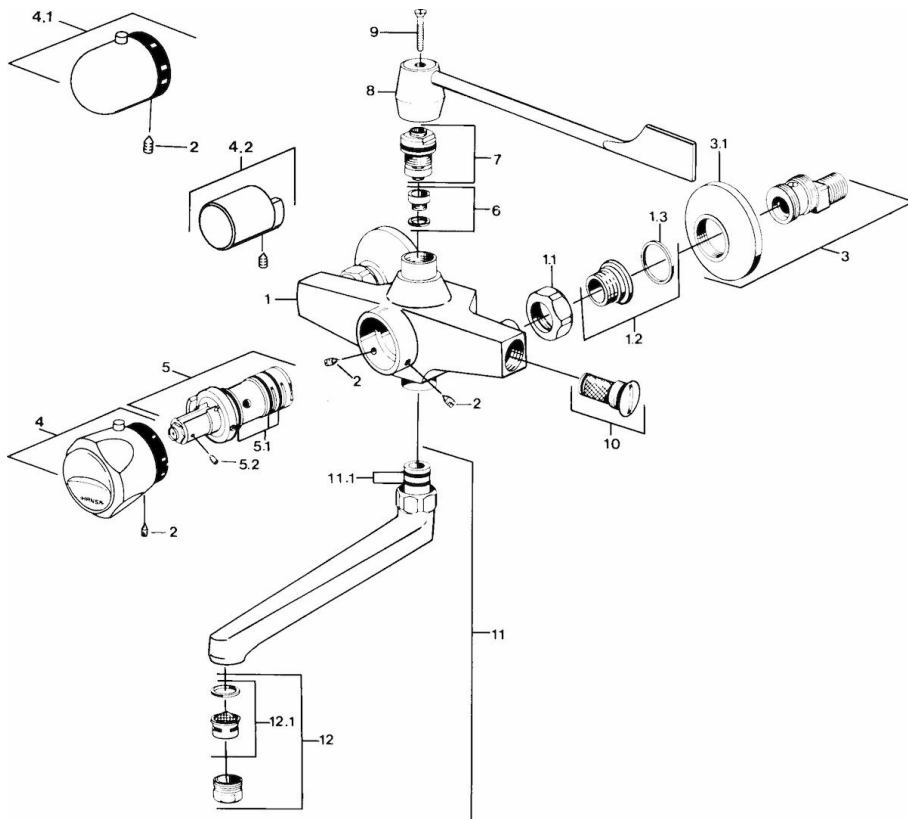
Technical data

Technical properties

Hot water supply
Working pressure

max. +90°C
0.5-10 bar

Spare parts



SP08392201

| Name | Code |
|--|----------|
| 1.1 Connection nut, G3/4, AF 30 | 59902230 |
| 1.2 Seat, 1/2"L | 59904618 |
| 1.3 Retaining ring, 23.9x15.2x2 | 59902689 |
| 10 Non-return valve | 59901610 |
| 11 Spout | 59906467 |
| 11.1 O-ring, d 16x2 | 59906703 |
| 12 Aerator, M24 x 1 STD HC A | 59902366 |
| 12.1 Aerator, M22/24 A | 59902081 |
| 2 Screw, M6 x 9,5 | 59901609 |
| 3 Ecc. coupling with svs and cov pls, 1/2" x 3/4" | 59902034 |
| 3.1 Cover flange | 59904796 |
| 4 Temperature control handle | 59906965 |
| 4.1 Temperature control handle | 59910304 |
| 5 Thermostatic cartridge | 59901608 |
| 5.1 O-ring, d 27x2 | 59901532 |
| 5.2 Screw, M4 x 4 | 59901027 |
| 6 Seat, DN15, R1/2 | 59904616 |
| 7 Headpart, G1/2, DN 15 | 59901530 |
| 9 Screw, M5x30 | 59905011 |
| N.I. Thermostatic cartridge | 59901668 |