

HANSATEMPRA
SHOWER FAUCET
08340302
EAN: 4015474658615



- Health & Care
- Thermostatic
- Chrome
- Brass
- Temperature control handle, Flow control handle
- Limitation option for maximum temperature and flow-rate, Safety stop against scalding at 38°C
- Thermostatic cartridge for automatic temperature control, Ceramic head part for flow control, Litter filter(s), Non-return valve(s)
- Eccentric coupling(s)
- Body made of DZR brass, Waterways without nickel coating, Thermal disinfection without cartridge readjustment

Technical data

Flow properties

Flow-rate at 3 bar

21.0 l/min

Technical properties

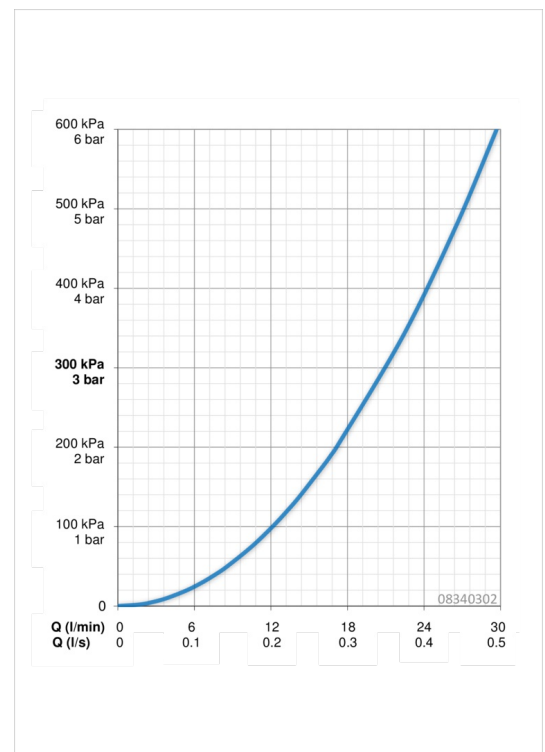
DN-size (nominal dimension)
 Hot water supply
 Working pressure
 Connection size
 Installation width

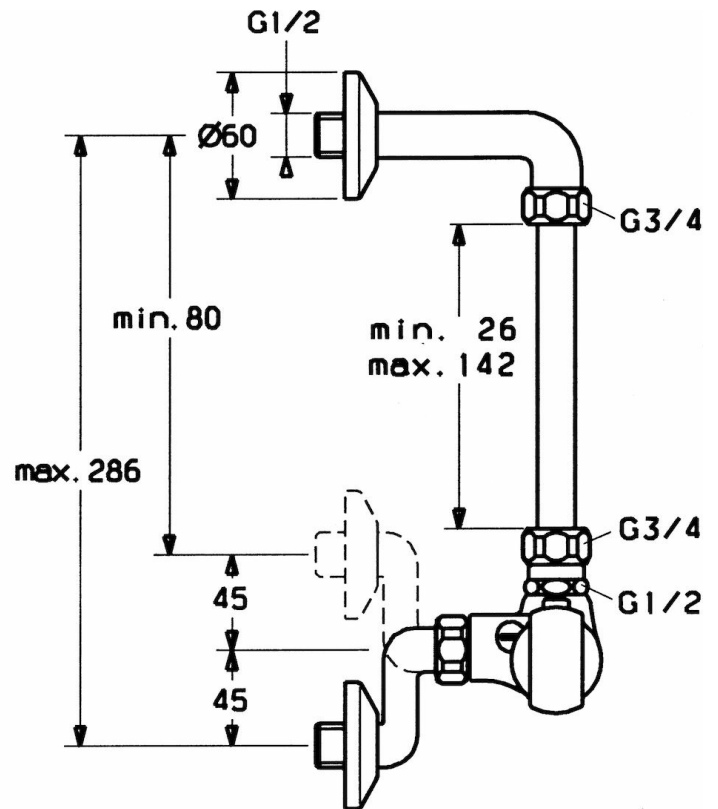
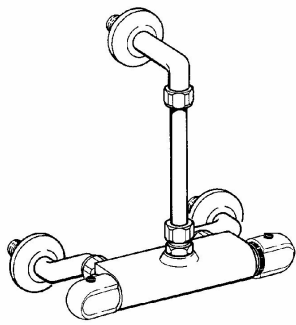
DN15
max. +90°C
1-10 bar
G1/2
cc150 ± 90 mm

Regulations

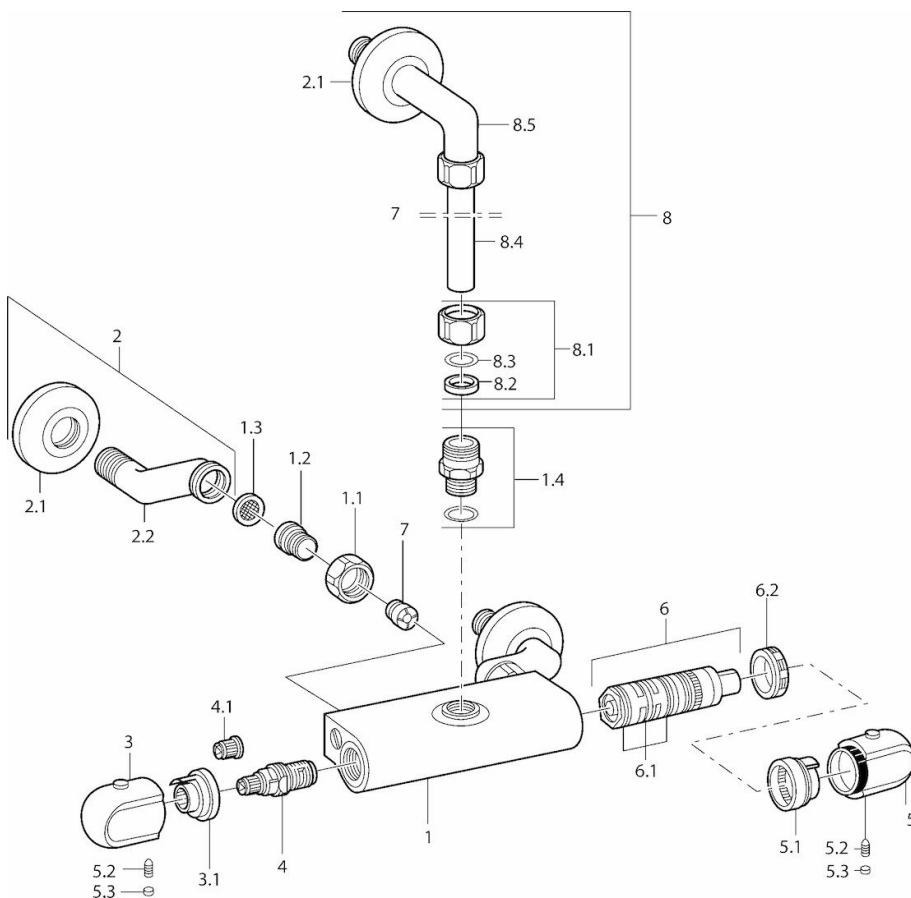
EN standard

EN 1111





Spare parts



SP08340302

Name	Code
1.1 Connection nut, G3/4, AF 30	59902230
1.2 Nipple	59911075
1.3 Filter sealing	59911076
1.4 Connection nipple	59901650
2 Eccentric	59902036
3 Flow control handle	59911656
3.1 Adjustment ring	59911661
4 Headpart, 1/2", 180°	59911103
4.1 Adapter White	59910235
5 Temperature control handle, 38° limited	59911726
5 Temperature control handle	59911830
5.1 Temperature adjustment limiter	59911660
5.2 Screw, M6 x 9,5	59901609
5.3 Cover plug	59911840
6 Thermostatic cartridge	59911525
6.1 O-ring, d 26,0 x d 2,0	59911081
6.2 Tightening nut, M34 x 1, SW45	59911082
7 Non-return valve	59905714
8 Coupling pipe	59901431
8.1 Lock nut	59905857
8.5 Angle coupling	59905587
N.I. Thermostatic cartridge, H/C reversed	59911527