

EAN: 4057304004995  
[static.hansa.com/05672129](http://static.hansa.com/05672129)



- Public, HealthCare
- Touchless, Plug transformer, Bluetooth®
- Deck mounted
- Chrome
- Fixed spout
- Laminar stream
- Temperature control handle
- Adjustable hot water stop (included, retrofittable)
- Litter filter(s), Mixing valve for manual temperature control, Non-return valve(s)
- Autofocus infrared sensor, Solenoid valve, Power supply
- Flexible inlet pipes, Special coating for hygienic premises
- Inner body made of DZR brass, Software settings adjustable via App, Waterways without nickel coating, Surfaces in contact with drinking water contain less than 0.3% lead

## Technical data

### Flow properties

Flow-rate at 3 bar (with flow controller) **6.0 l/min**

### Technical properties

DN-size (nominal dimension) **DN15**  
 Hot water supply **max. +70°C**  
 Working pressure **1-10 bar**  
 Connection size **G3/8**  
 Projection **117 mm**

### Software settings

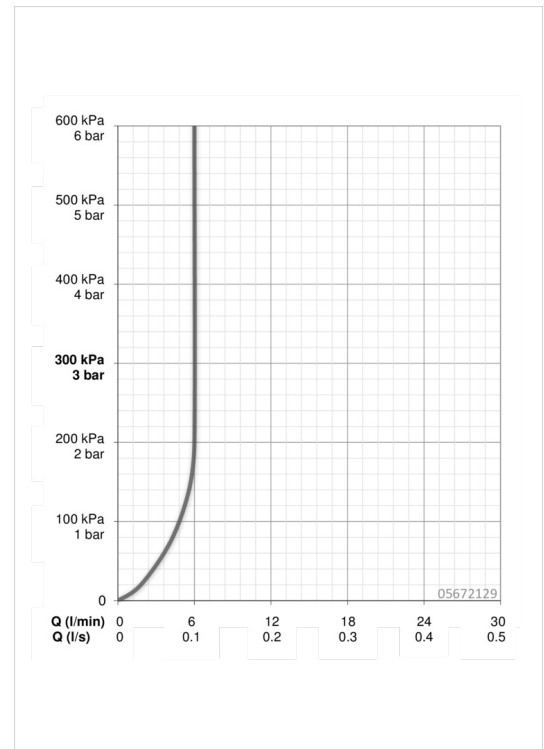
Afterflow period **3 s (1-20 s)**  
 Automatic flush **off (off/1-120 h)**  
 Automatic flush period **30 s (1-1800 s)**  
 Max. flow period **2 min (1 - 1800 s)**

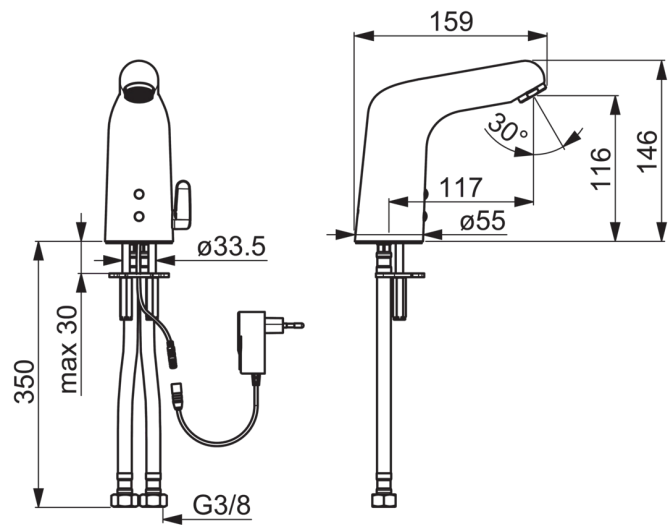
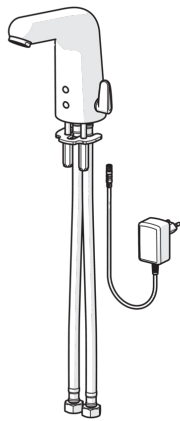
### Electronic properties

Electrical Connection **230 / 9 V**  
 ItemBluetoothVersion **4.x**

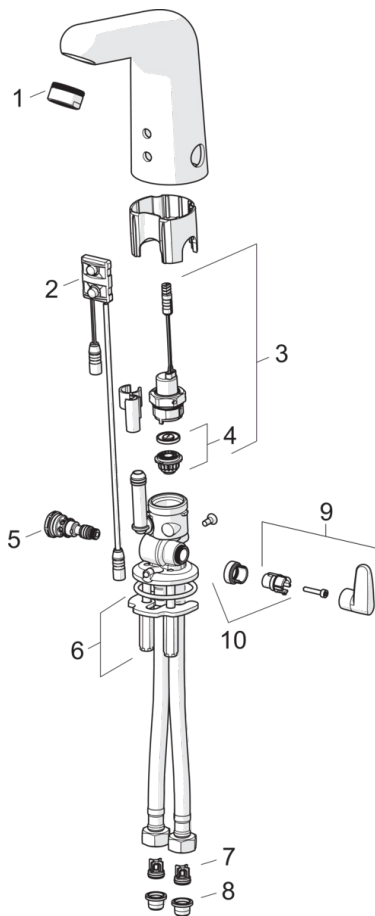
### Regulations

EMC Directive **C E 2014/53/EU**  
 EN standard **EN 15091**  
 Protection class **IP 55 / transformer IP 20**





## Spare parts



### SP05672129

Name	Code
01 Aerator, M24x1 HC-STD , 6 l/min, Laminar	59914068
02 Sensor, 6/9/12 V Bluetooth	59914567
03 Solenoid valve	59914091
04 Membrane support ring	59914090
05 Temperature regulator, lead-free	59914733
06 Fixing plates with nuts	59914132
07 Non-return valve	59914569
08 Litter filters	59914085
09 Temperature control handle	59914568
10 Limiter	59914106