

EAN: 4057304005046
static.hansa.com/05672019



- HealthCare
- Touchless, Battery-operated, Bluetooth®
- Deck mounted
- Chrome
- Fixed spout
- Laminar stream
- Litter filter(s), Non-return valve(s)
- Autofocus infrared sensor, Solenoid valve, Low battery indicator
- Flexible inlet pipes, One inlet for cold or premixed water, Special coating for hygienic premises
- Inner body made of DZR brass, Software settings adjustable via App, Waterways without nickel coating, Surfaces in contact with drinking water contain less than 0.3% lead

Technical data

Flow properties

Flow-rate at 3 bar (with flow controller) **6.0 l/min**

Technical properties

DN-size (nominal dimension) **DN15**
 Hot water supply **max. +70°C**
 Working pressure **1-10 bar**
 Connection size **G3/8**
 Projection **117 mm**

Software settings

Afterflow period **3 s (1-20 s)**
 Automatic flush **off (off/1-120 h)**
 Automatic flush period **30 s (1-1800 s)**
 Max. flow period **2 min (1 - 1800 s)**

Electronic properties

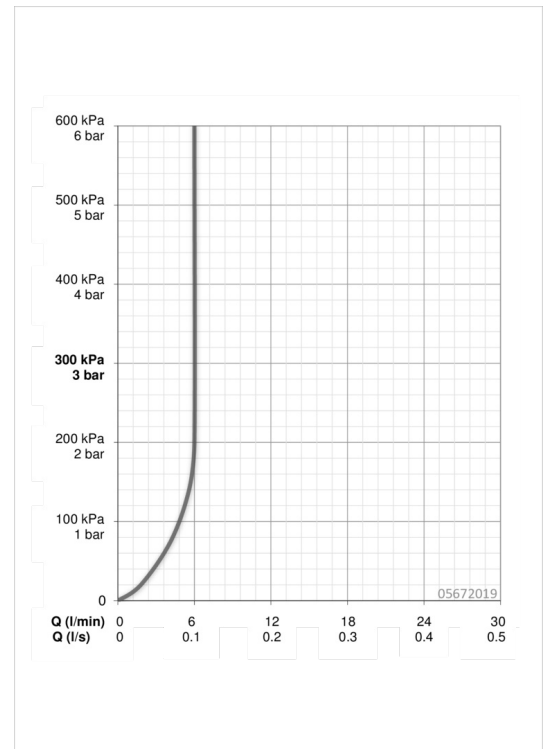
Battery **Lithium 2CR5 6 V**
 ItemBluetoothVersion **4.x**

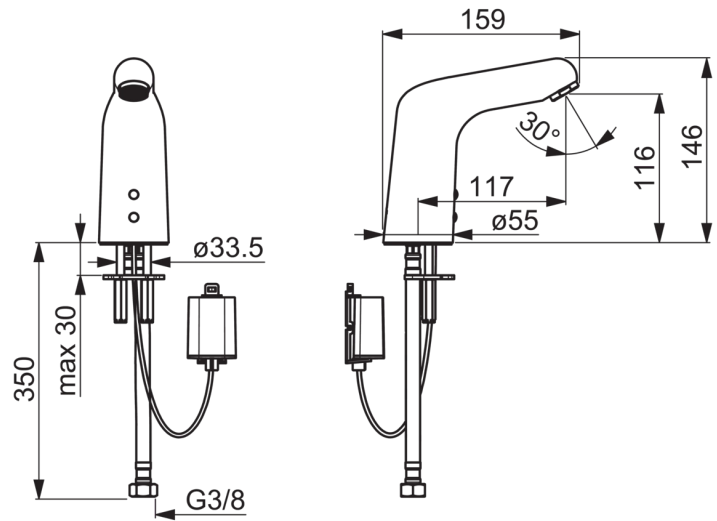
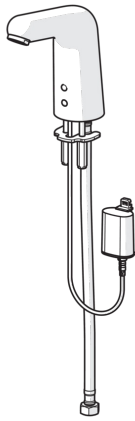
Regulations

EMC Directive **C E 2014/53/EU**
 EN standard **EN 15091**
 Protection class **IP 55**

Approvals and Declarations

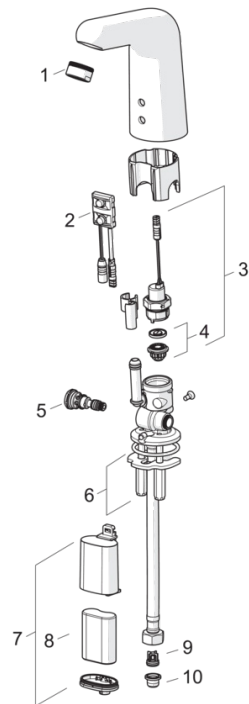
ItemUN383 **UN38-3 Maxell 2CR5**





Spare parts

SP05672019



Name	Code
01 Aerator, M24x1 HC-STD , 6 l/min, Laminar	59914068
02 Sensor, 6/9/12 V Bluetooth	59914567
03 Solenoid valve	59914091
04 Membrane support ring	59914090
05 Temperature regulator	59914089
06 Fixing plates with nuts	59914132
07 Battery casing	59914154
08 Battery, 2CR5 6 V	59911670
09 Non-return valve	59914569
10 Litter filters	59914085