

EAN: 4015474267169
static.hansa.com/02532203



- HealthCare
- Single-lever
- Wall mounted
- Chrome
- Swivel spout, Lockable in the middle position
- Laminar stream
- Hot/Cold symbols, Single operating lever/handle
- Limitation option for maximum temperature and flow-rate, Adjustable hot water stop (included, retrofittable)
- \varnothing 48 mm ceramic cartridge for flow and temperature control
- Eccentric coupling(s), Cover plate(s), with integrated shut-off valve(s), Cover plate triple sealed
- Inner body made of DZR brass, Surfaces in contact with drinking water contain less than 0.3% lead, Waterways without nickel coating

Technical data

Flow properties

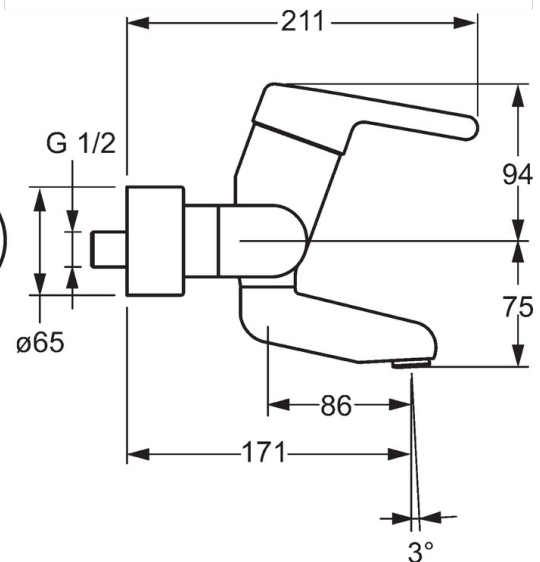
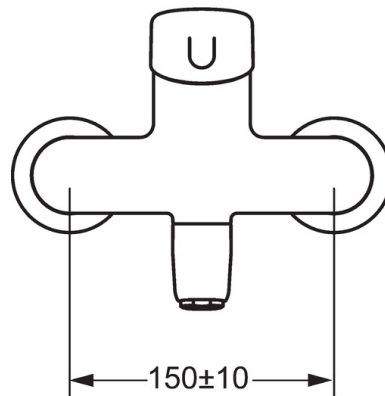
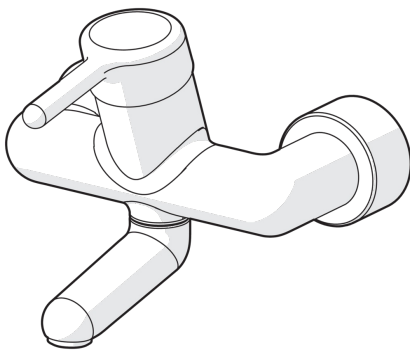
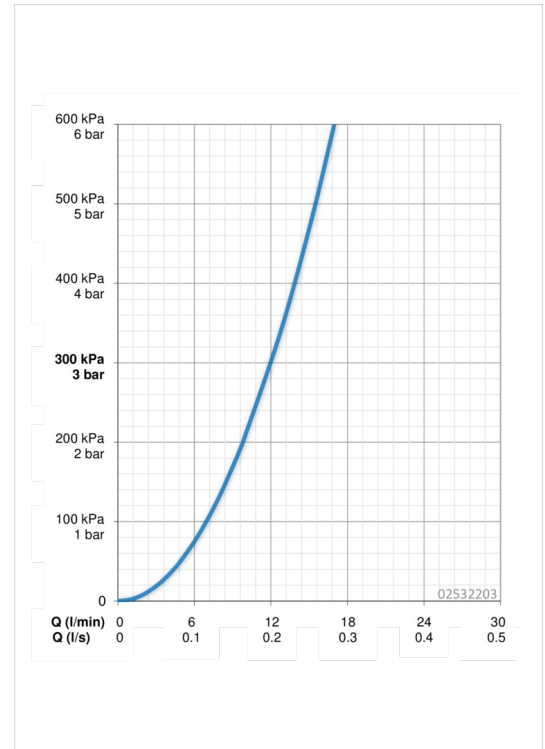
Flow-rate at 3 bar **12.0 l/min**

Technical properties

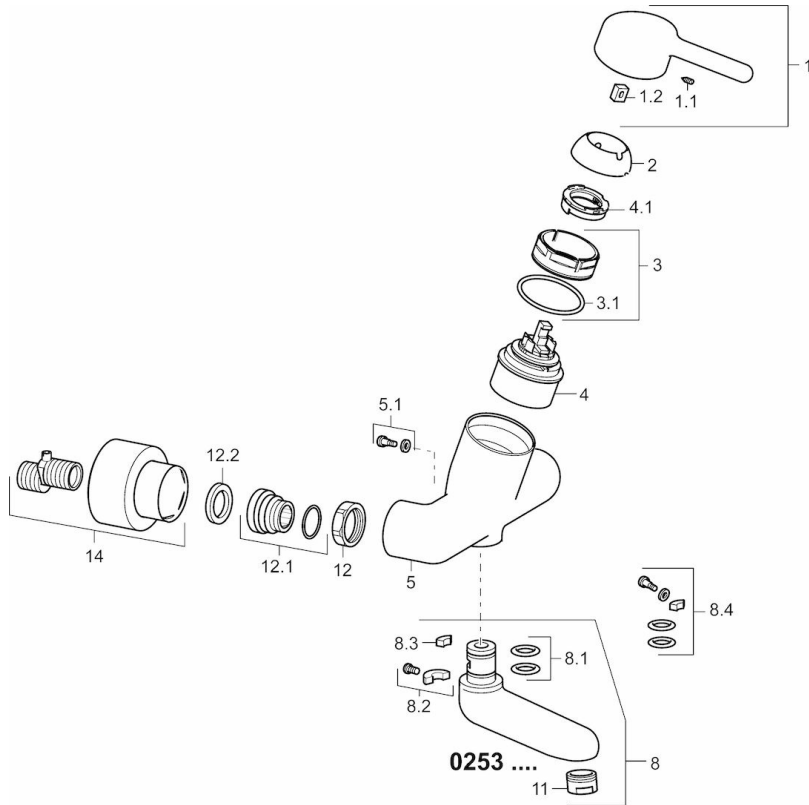
DN-size (nominal dimension) **DN15**
 Hot water supply **max. +90°C**
 Working pressure **0.5-10 bar**
 Installation width **cc150 ± 10 mm**
 Projection **171 mm**
 Material **Brass**

Regulations

EN standard **EN 817**



Spare parts



SP02532203

	Name	Code
1	Lever, L=93 mm	59914072
1.1	Screw, M5x8, SW2.5	59904755
1.2	Bushing	59904778
11	Aerator, M24x1 A (2013-) Laminar PL-HC-STD	59914054
12	Connection nut, G3/4, AF 30	59902230
12.1	Connector	59913400
12.2	Retaining ring, 23.9x15.2x2	59902689
14	Cover flange pair	02720200
2	Covering cap	59914069
3	Tightening nut, M50x1, SW45	59914070
3.1	O-ring, d 46x2	59912470
4	Cartridge, 4.8 Classic	59911437
4.1	Adjusting ring	59904759
5.1	Fixing screw, M6x12, AF2.5	59904804
8	Spout, L=161	02692000
8	Spout, L=226	02702000
8	Spout, L=86	02682000
8.1	O-ring, d 15x2.5	59910423
8.2	Screw, M6x10, 2,5	59911435
8.2	Limiter	59910421
8.3	Limiter	59910422
8.4	Maintenance set	59912230
N.I.	Emptying valve	59912483
N.I.	Key, SW45/SW50	59905190