

EAN: 4015474271371
static.hansa.com/01948183



- Kitchen
- Single-lever
- Wall mounted
- Chrome
- Laminar stream
- Hot/Cold symbols, Single operating lever/handle
- Limitation option for maximum temperature and flow-rate, Adjustable hot water stop (included, retrofittable)
- \varnothing 48 mm ceramic eco cartridge for flow and temperature control
- Eccentric coupling(s), Silencer(s)
- Inner body made of DZR brass

Technical data

Flow properties

Eco-flow at 3 bar	6.0 l/min
Flow-rate at 3 bar	12.0 l/min

Technical properties

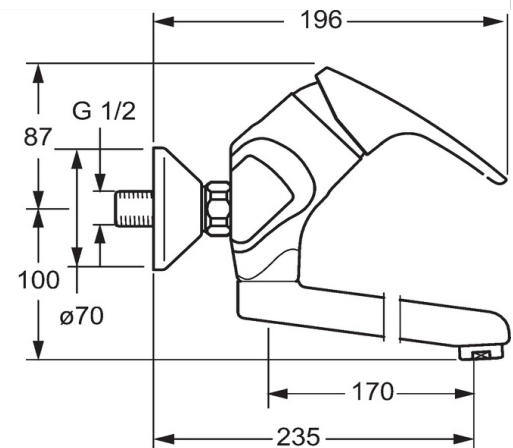
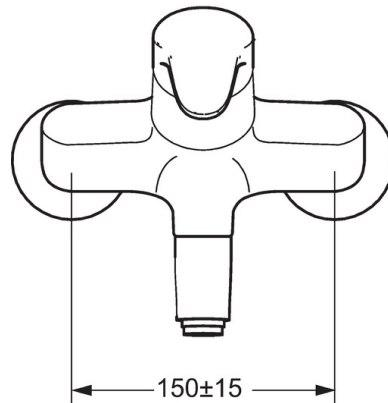
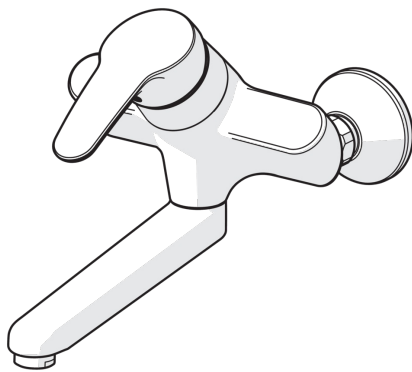
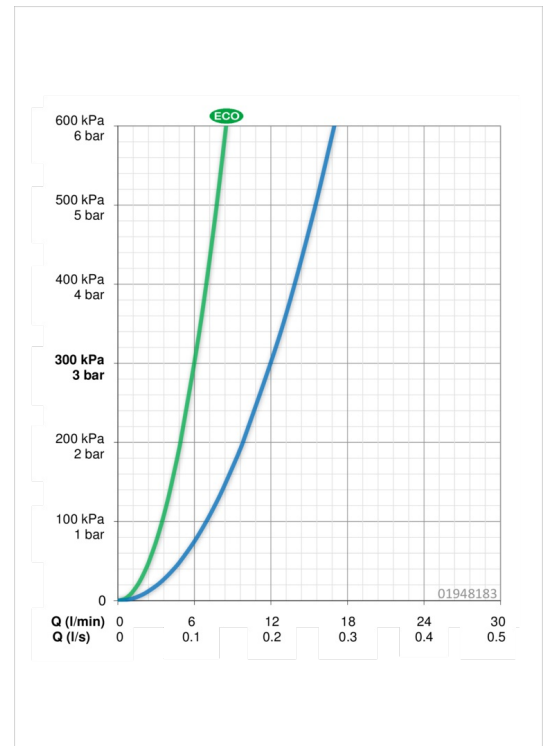
DN-size (nominal dimension)	DN15
Hot water supply	max. +90°C
Working pressure	0.5-10 bar
Installation width	cc150 ± 15 mm
Projection	235 mm

Regulations

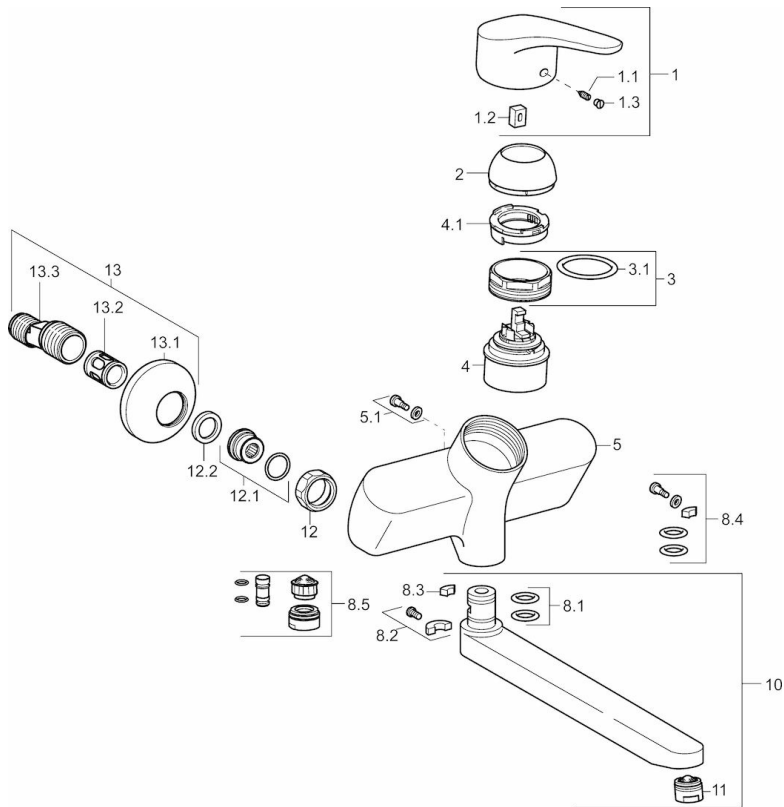
EN standard	EN 817
-------------	---------------

Approvals and Declarations

KIWA	K6116/08
------	-----------------



Spare parts



SP01692183

	Name	Code
1	Lever, L=93 mm	01880083
1.1	Screw, M5x8, SW2.5	59904755
1.2	Bushing	59904778
1.3	Symbol plug Grey	59912112
2	Covering cap	59912638
3	Eye screw, M50x1, SW45	59904775
3.1	O-ring, d 43x2.5	59911166
4	Cartridge, 4.8 eco	59904601
4.1	Adjusting ring	59904759
5.1	Fixing screw, M6x12, AF2.5	59904804
8.1	O-ring, d 15x2.5	59910423
8.2	Limiter	59910421
8.2	Screw, M6x10, 2,5	59911435
8.3	Limiter	59910422
8.4	Maintenance set	59912230
8.5	Emptying valve	59912483
10	Spout, L=235	59910417
10	Spout, L=96	59910419
10	Spout, L=170	59911183
10	Spout, L=145	59911380
10	Spout, L=96 (2019-)	59914765
10	Spout, L=170 (2019-)	59914766
10	Spout, L=235 (2019-)	59914767
11	Aerator, M24x1 A (2013-) Laminar PL-HC-STD	59914054
12	Connection nut, G3/4, AF 30	59902230
12.1	Connector	59913400
12.2	Retaining ring, 23.9x15.2x2	59902689
13	Eccentric, G3/4 x G1/2	59904793
13.1	Cover flange	59904796
13.2	Silencer	59904792
13.3	Eccentric connector, G3/4 x G1/2	59910254