

EAN: 4015474080195  
[static.hansa.com/01692176](http://static.hansa.com/01692176)



- HealthCare
- Single-lever
- Wall mounted
- Chrome
- Swivel spout, Lockable in the middle position
- Laminar stream
- Long shape, Hot/Cold symbols, Single operating lever/handle
- Limitation option for maximum temperature and flow-rate, Adjustable hot water stop (included, retrofittable)
- $\varnothing$  48 mm ceramic eco cartridge for flow and temperature control
- Eccentric coupling(s), Silencer(s)
- Inner body made of DZR brass, Waterways without nickel coating

## Technical data

### Flow properties

Eco-flow at 3 bar	<b>6.0 l/min</b>
Flow-rate at 3 bar	<b>12.0 l/min</b>

### Technical properties

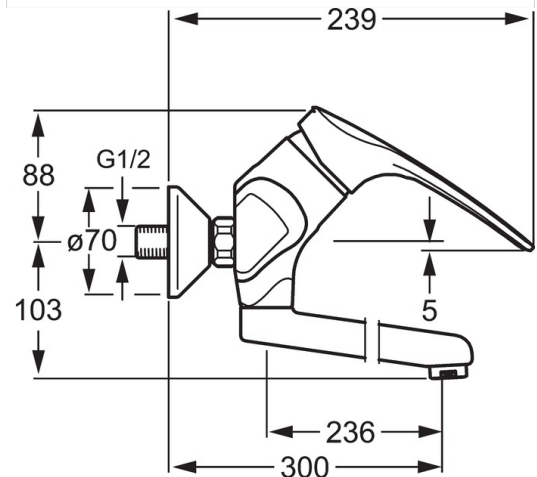
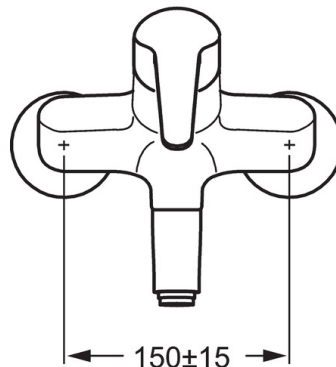
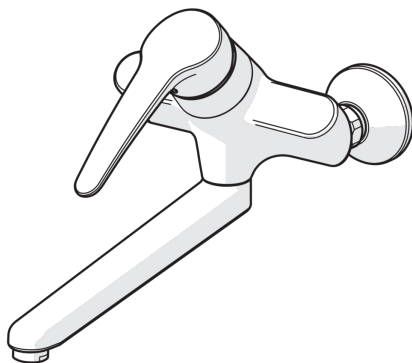
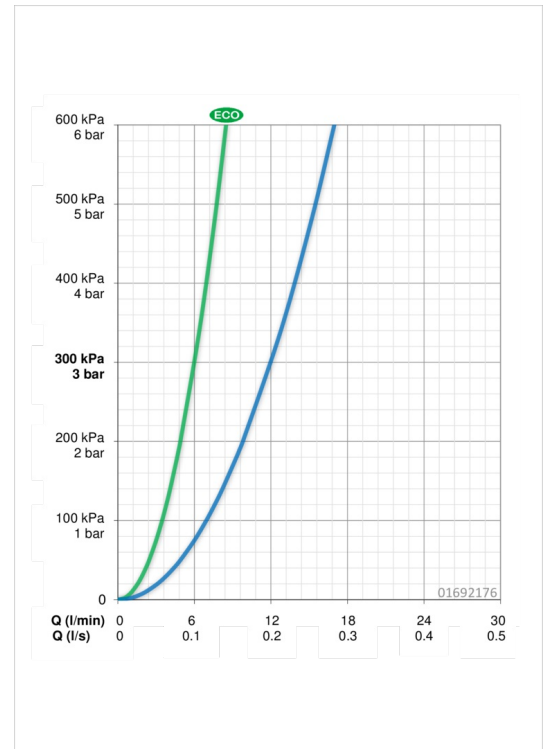
DN-size (nominal dimension)	<b>DN15</b>
Hot water supply	<b>max. +90°C</b>
Working pressure	<b>0.5-10 bar</b>
Installation width	<b>cc150 ± 15 mm</b>
Projection	<b>300 mm</b>
Material	<b>Brass</b>

### Regulations

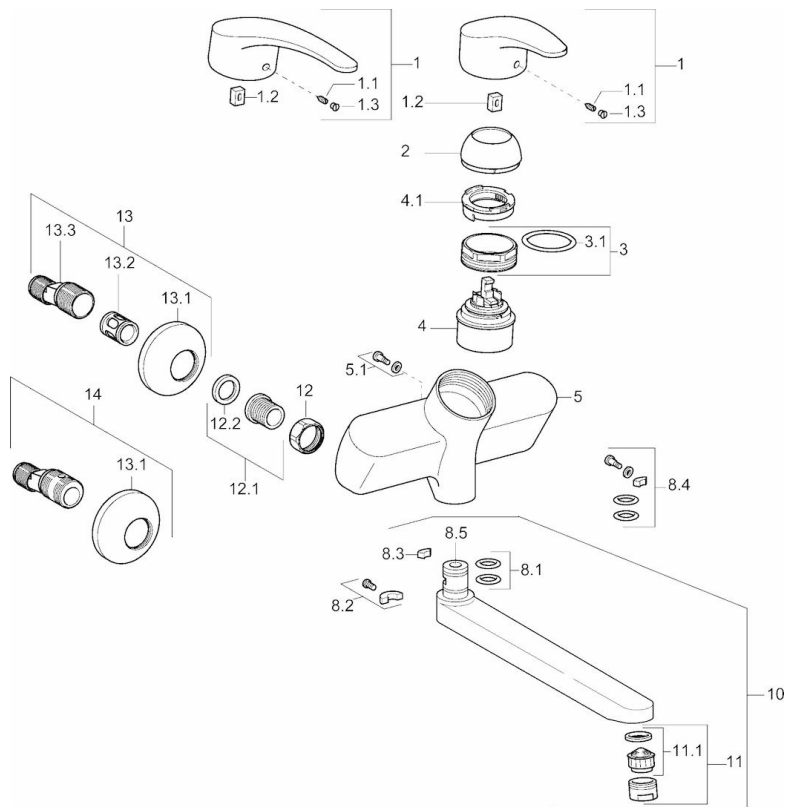
EN standard	<b>EN 817</b>
-------------	---------------

### Approvals and Declarations

KIWA	<b>K6116/08</b>
------	-----------------



## Spare parts



### SP01692173

	Name	Code
1	Lever, 138 mm	01880076
1	Lever, L=87 mm	59914195
1.1	Screw, M5x8, SW2.5	59904755
1.2	Bushing	59904778
1.3	Symbol plug Grey	59912112
10	Spout, L=235 (2019-)	59914767
10	Spout, L=235	59910417
10	Spout, L=96 (2019-)	59914765
10	Spout, L=170 (2019-)	59914766
10	Spout, L=96	59910419
10	Spout, L=145	59911380
10	Spout, L=170	59911183
11	Aerator, M24x1 A (2013-) Laminar PL-HC-STD	59914054
11	Aerator, M24x1 Z	59906826
12	Connection nut, G3/4, AF 30	59902230
12.1	Seat, 1/2"L	59904618
12.2	Retaining ring, 23.9x15.2x2	59902689
13	Eccentric, G3/4 x G1/2	59904793
13.1	Cover flange	59904796
13.2	Silencer	59904792
13.3	Eccentric connector, G3/4 x G1/2	59910254
14	Eccentric coupling with stop valves and cover plates, G1/2xG3/4	59902034
2	Covering cap	59912638
3	Eye screw, M50x1, SW45	59904775
3.1	O-ring, d 43x2.5	59911166
4	Cartridge, 4.8 eco	59904601
4.1	Adjusting ring	59904759
5.1	Fixing screw, M6x12, AF2.5	59904804
8.1	O-ring, d 15x2.5	59910423
8.2	Limiter	59910421
8.2	Screw, M6x10, 2,5	59911435
8.3	Limiter	59910422
8.4	Maintenance set	59912230
8.5	Emptying valve	59912483