

EAN: 4015474267039
static.hansa.com/01622196



- HealthCare
- Single-lever
- Deck mounted
- Chrome
- Fixed spout
- Laminar stream
- Long shape, Hot/Cold symbols, Single operating lever/handle
- Limitation option for maximum temperature and flow-rate, Adjustable hot water stop (included, retrofittable)
- \varnothing 48 mm ceramic cartridge for flow and temperature control
- Copper inlet pipes
- Waterways without nickel coating, Surfaces in contact with drinking water contain less than 0.3% lead, Inner body made of DZR brass, Rapid installation system
- WithoutPopUpWaste, WithoutDrawRodOpening

Technical data

Flow properties

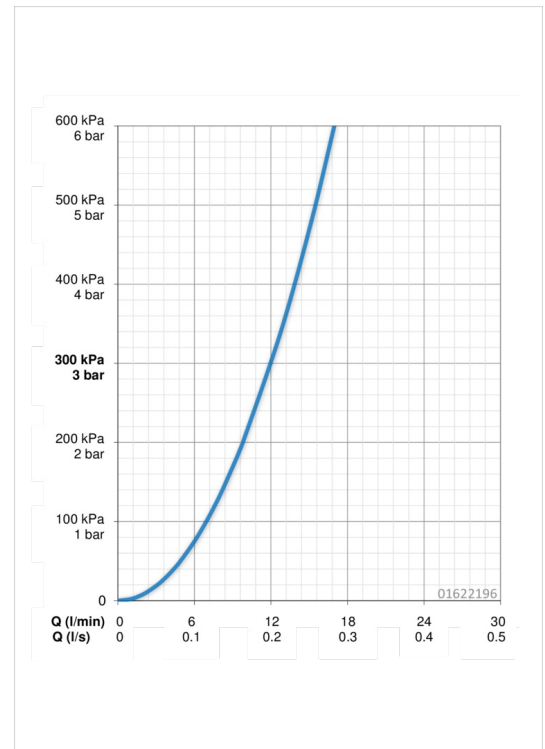
Flow-rate at 3 bar **12.0 l/min**

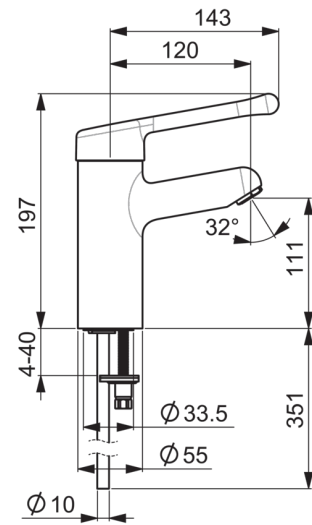
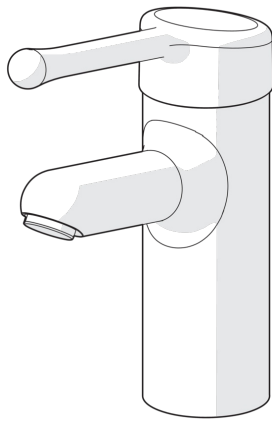
Technical properties

DN-size (nominal dimension) **DN15**
 Hot water supply **max. +80°C**
 Working pressure **0.5-10 bar**
 Connection size **\varnothing 10**
 Projection **120 mm**

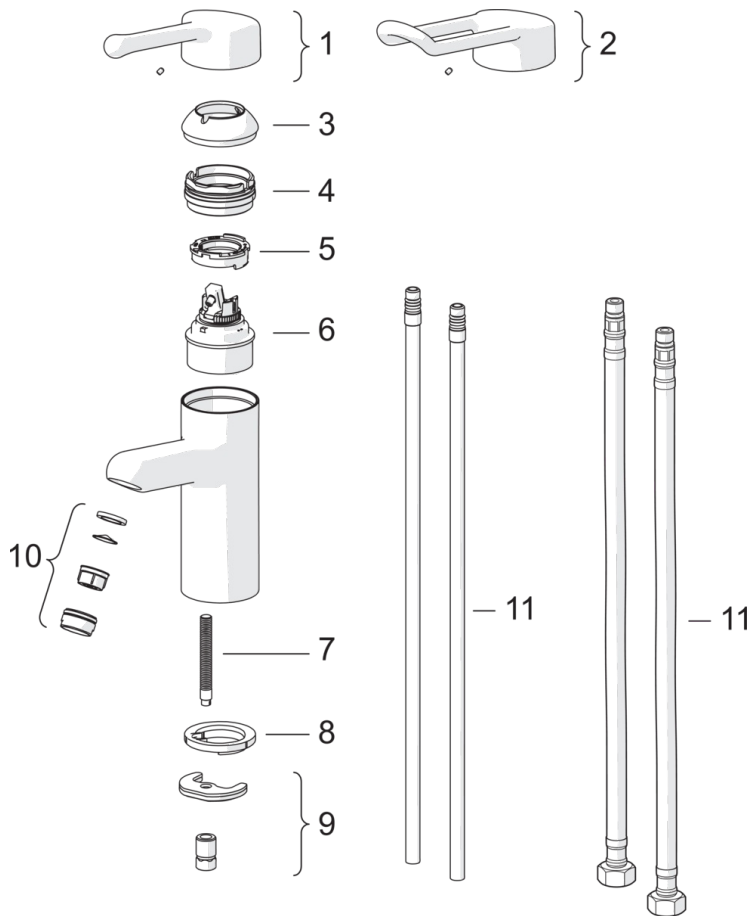
Regulations

EN standard **EN 817**





Spare parts



SP01662195

Name	Code
01 Long lever, L=143	02450006
02 Long lever, L=149	02440005
03 Covering cap	59914069
04 Tightening nut, M50x1, SW45	59914070
05 Adjusting ring	59904759
06 Cartridge, 4.8 Classic	59911437
07 Fixing screw, M8x1, L=140	59912474
08 Bottom seal	59913653
09 Fixing set	59910749
10 Aerator, M24x1 A (2013-) Laminar PL-HC-STD	59914054
11 Flexible pipe, L=430, G3/8-M8x1 LH	59914718
11 Coupling pipe, L=420, M8x1	59914456
N.I. Connector, G1/2 x M14x1	59914180
N.I. Bidetta hand shower White	59914458
N.I. Wall bracket White	59914457
N.I. Quick-release coupling, G1/2	04050200
N.I. Shower hose, L=1500 White	59914460