

HANSAMEDIPRO
WASHBASIN FAUCET
 01622193
EAN: 4015474266940



- Health & Care
- Single-lever
- Chrome
- Fixed spout
- Laminar stream
- Hot/Cold symbols, Single operating lever/handle
- Limitation option for maximum temperature and flow-rate, Adjustable hot water stop (retrofitable)
- ø 48 mm ceramic cartridge for flow and temperature control
- Copper inlet pipes
- Waterways without nickel coating, Surfaces in contact with drinking water contain less than 0.3% lead, Body made of DZR brass, Rapid installation system

Technical data

Flow properties

Flow-rate at 3 bar **12.0 l/min**

Technical properties

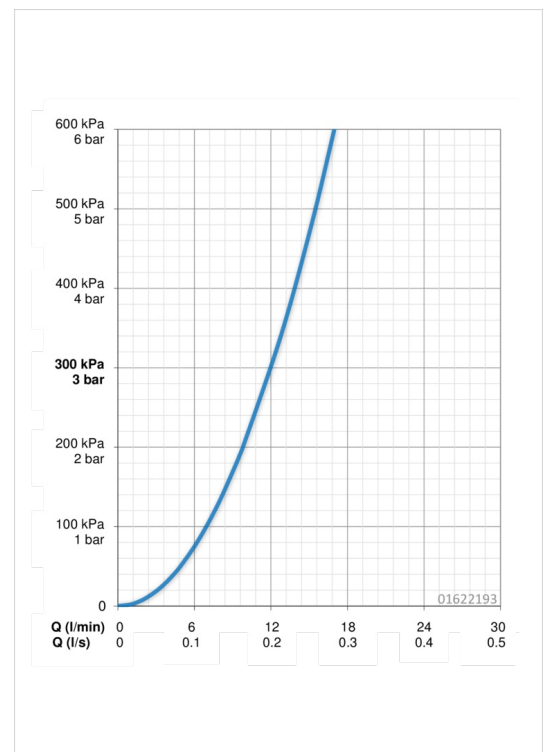
DN-size (nominal dimension) **DN15**
 Hot water supply **max. +80°C**
 Working pressure **0.5-10 bar**
 Connection size **Ø10**

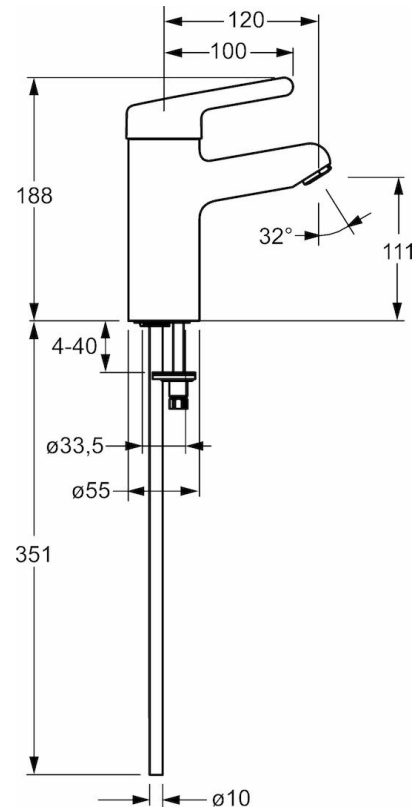
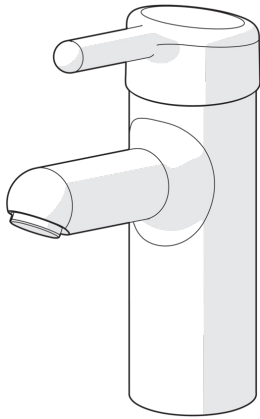
Regulations

EN standard **EN 817**

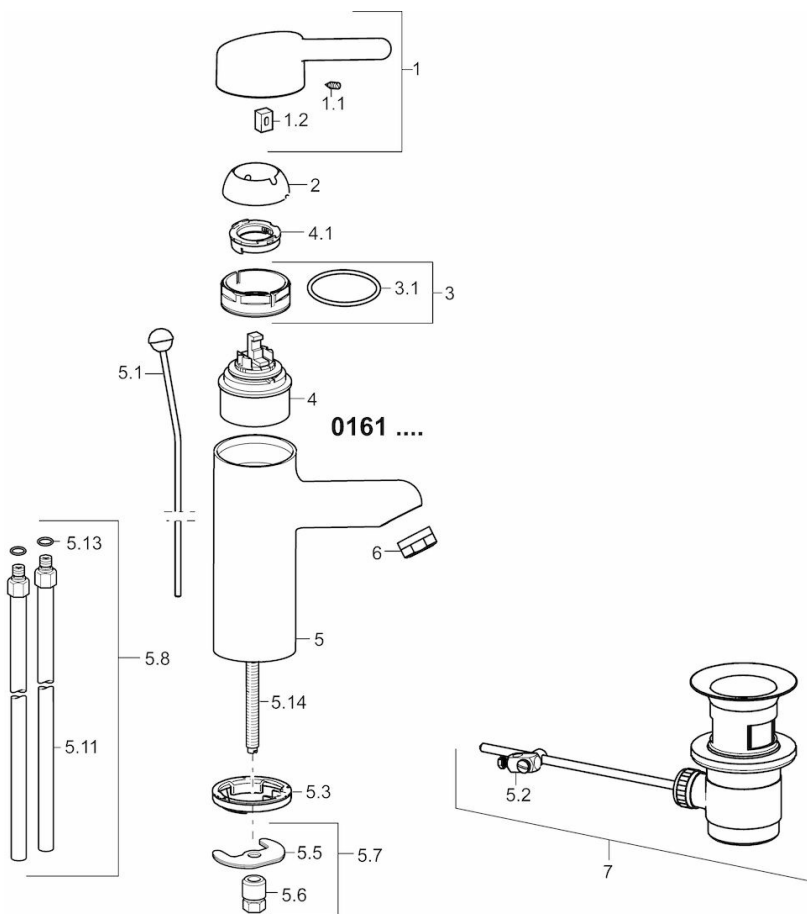
Type approvals

DVGW **NW-6506CR0028**
 ABP **P-IX 28470/IA**
 ACS **16 ACC NY 271**





Spare parts



SP01612103

	Name	Code
1	Lever	59914072
1.1	Screw, M5x8, SW2,5	59904755
1.2	Bushing	59904778
2	Covering cap	59914069
3	Tightening nut, M50x1, SW45	59914070
3.1	O-ring, d 46 X d 2	59912470
4	Cartridge, 4.8 Classic	59911437
4.1	Adjustment ring	59904759
5.1	Pop-up operating rod	59912505
5.11	Coupling pipe, L=430, M10x1	59912550
5.13	O-ring, d 7,65 x d 1,78	59902337
5.14	Fixing screw, M8x1, L=140	59912474
5.2	Swivel joint	59904624
5.3	Bottom seal	59913653
5.5	Fixing plate	59904765
5.6	Screw, M8x1, SW13	59904766
5.7	Fixing set	59910749
5.8	Installation coupling pair	59911791
6	Aerator, M24x1 A (2013-) Laminar PL-HC-STD	59914054
7	Pop-up waste	59904620