

EAN: 4015474137301
static.hansa.com/01566276



- HealthCare
- Single-lever
- Wall mounted
- Chrome
- Fixed spout
- Laminar stream
- Long shape, Hot/Cold symbols, Loop shape, Single operating lever/handle
- Limitation option for maximum temperature and flow-rate, Adjustable hot water stop (included, retrofittable)
- \varnothing 48 mm ceramic eco cartridge for flow and temperature control
- Eccentric coupling(s), with integrated shut-off valve(s), Silencer(s)
- Inner body made of DZR brass, Waterways without nickel coating

Technical data

Flow properties

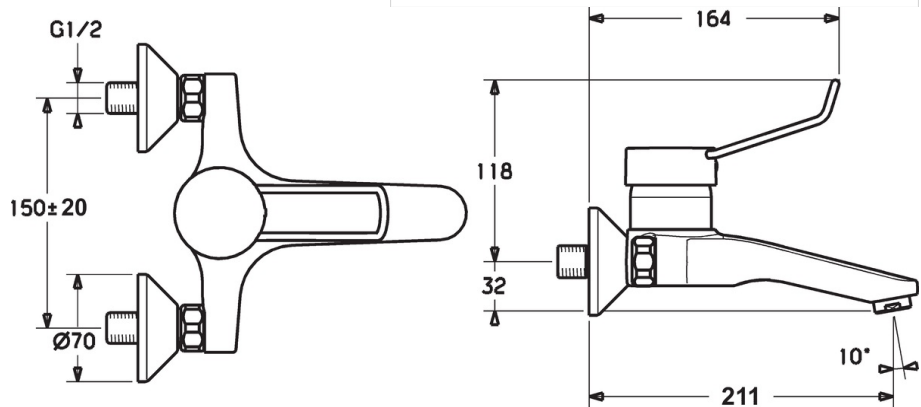
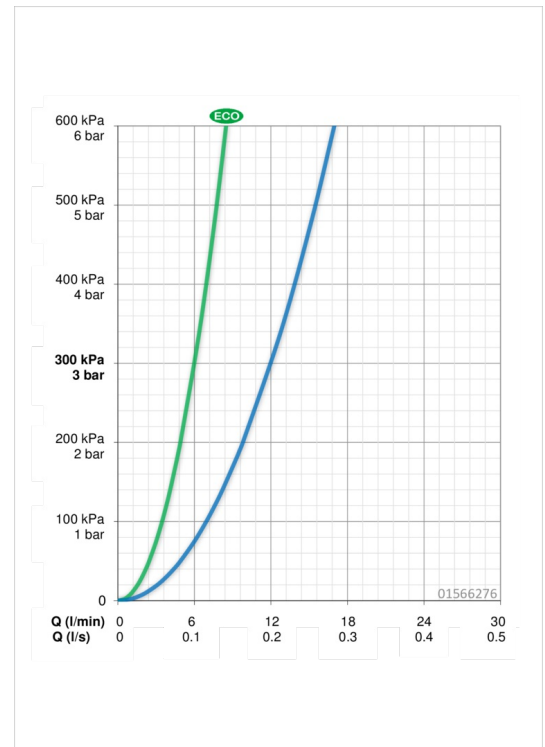
Eco-flow at 3 bar	6.0 l/min
Flow-rate at 3 bar	12.0 l/min

Technical properties

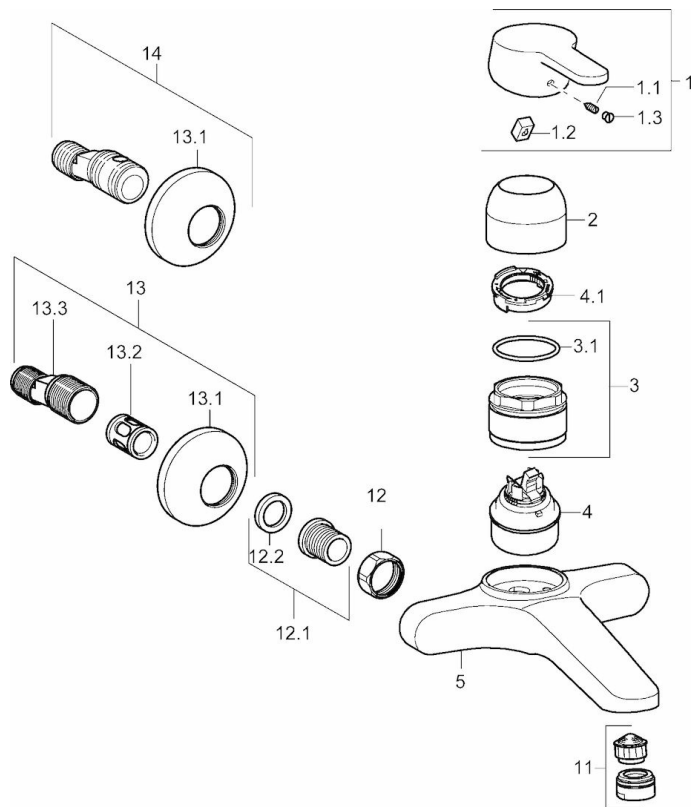
DN-size (nominal dimension)	DN15
Hot water supply	max. +90°C
Working pressure	0.5-10 bar
Installation width	cc150 \pm 20 mm
Projection	211 mm
Material	Brass

Regulations

EN standard	EN 817
-------------	---------------



Spare parts



SP01566173

	Name	Code
1	Lever, L=110	01580076
1	Lever, L=86 mm	01580073
1.1	Screw, M5x8, SW2.5	59904755
1.2	Bushing	59904778
1.3	Symbol plug Grey	59912112
11	Aerator, M24x1 A (2013-) Laminar PL-HC-STD	59914054
11	Aerator, M24x1, 7 l/min (-2013)	59912004
12	Connection nut, G3/4, AF 30	59902230
12.1	Seat, 1/2"L	59904618
12.2	Retaining ring, 23.9x15.2x2	59902689
13	Eccentric, G3/4 x G1/2	59904793
13.1	Cover flange	59904796
13.2	Silencer	59904792
13.3	Eccentric connector, G3/4 x G1/2	59910254
14	Eccentric coupling with stop valves and cover plates, G1/2xG3/4	59902034
2	Covering cap	59911160
3	Tightening nut, M52 x 1, AF 45	59911161
3.1	O-ring, d 39 X d 2,5 Discontinued	59911162
4	Cartridge, 4.8 eco	59904601
4.1	Adjusting ring	59904759
N.I.	Key, SW45/SW50	59905190