

HANSA CLINICA

WASHBASIN FAUCET

01526176

EAN: 4015474135772



- Health & Care
- Single-lever
- Chrome
- Swivel spout
- HONEYCOMB® - improved lime protection, Care® - for use in hospitals and other care facilities, Laminar - crystal clear stream
- Brass
- Single operating lever/handle, Loop shape, Long shape, Hot/Cold symbols
- Limitation option for maximum temperature and flow-rate, Adjustable hot water stop (retrofitable)
- ø 48 mm ceramic eco cartridge for flow and temperature control
- Eccentric coupling(s), Cover plate(s), Silencer(s)
- Body made of DZR brass, Waterways without nickel coating

Technical data

Flow properties

Eco-flow at 3 bar
Flow-rate at 3 bar

6.0 l/min
12.0 l/min

Technical properties

DN-size (nominal dimension)
Hot water supply
Working pressure
Installation width

DN15
max. +90°C
0.5-10 bar
cc150 ± 20 mm

Regulations

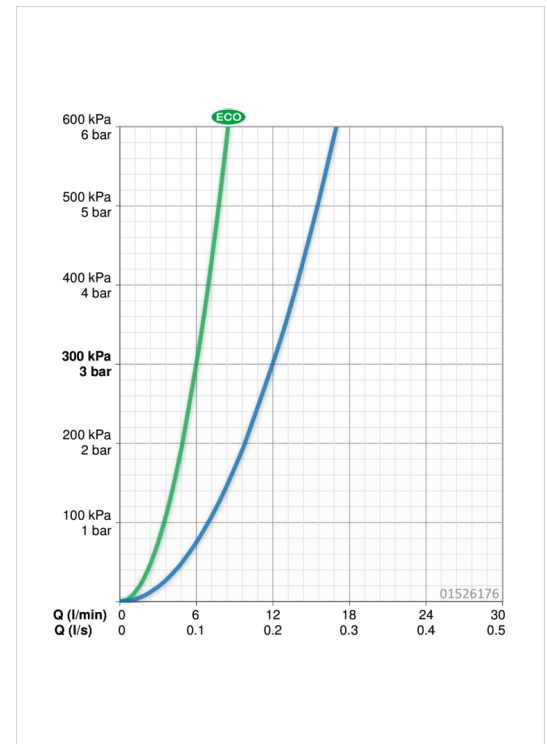
EN standard

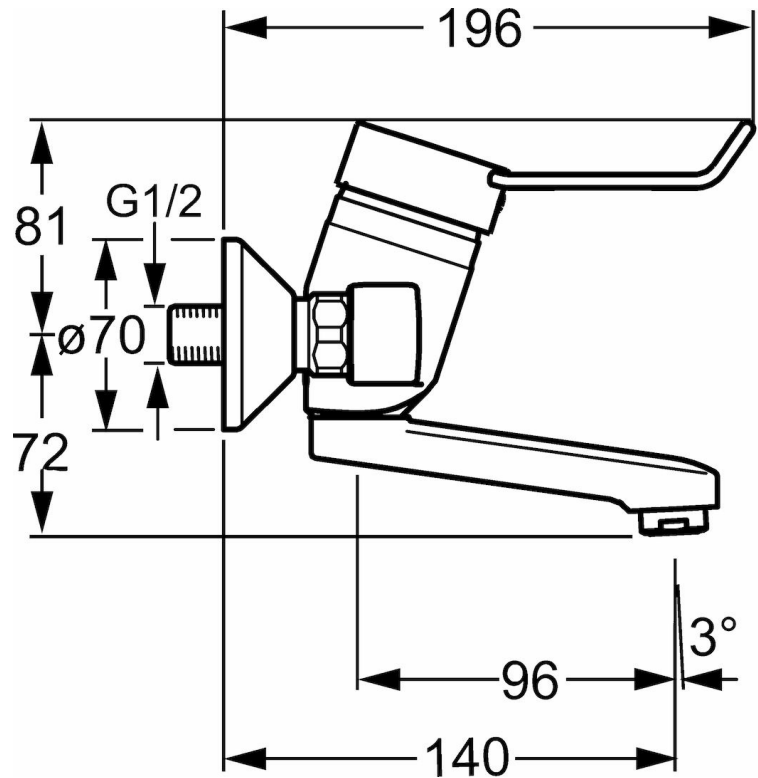
EN 817

Type approvals

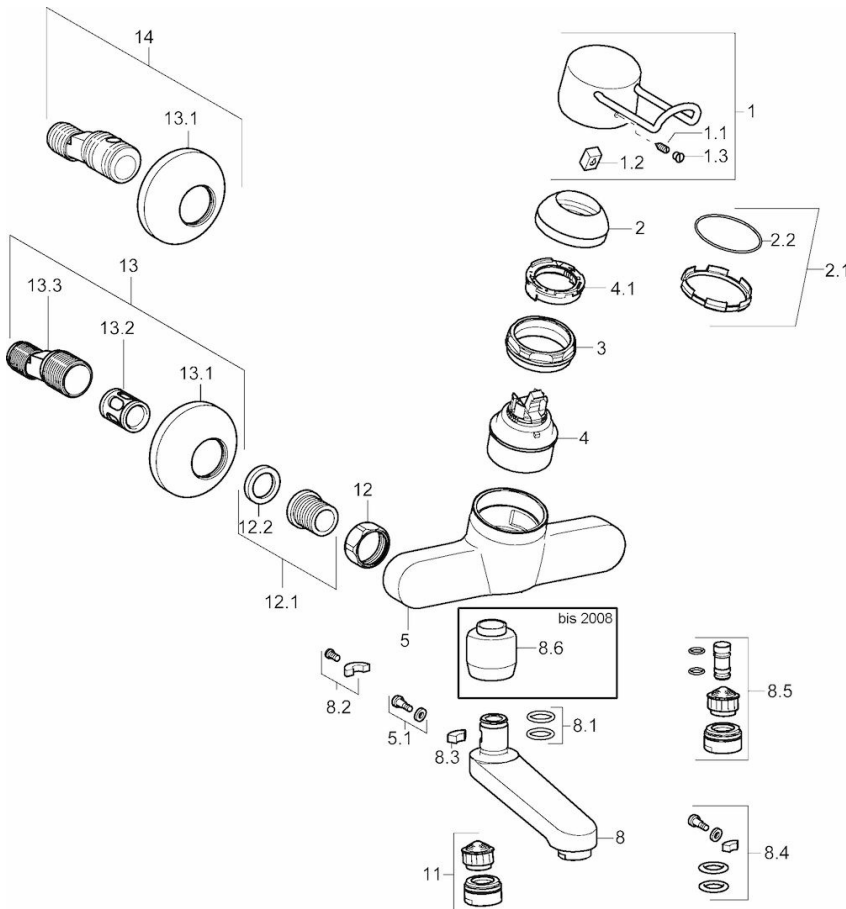
ABP

PA-IX 28892/IZ





Spare parts



SP01526176

	Name	Code
1	Lever, L=110	01580076
1.1	Screw, M5x8, SW2,5	59904755
1.2	Bushing	59904778
1.3	Symbol plug Grey	59912112
11	Aerator, M24x1 A (2013-)	59914054
	Laminar PL-HC-STD	
11	Aerator, M24x1 , 7 l/min (-2013)	59912004
12	Connection nut, G3/4, AF 30	59902230
12.1	Seat, 1/2"L	59904618
12.2	Sealing kit, 23.9x15.2x2	59902689
13	Eccentric, G3/4 x G1/2	59904793
13.1	Cover flange	59904796
13.2	Silencer	59904792
13.3	Eccentric connector, G3/4 x G1/2	59910254
14	Ecc. coupling with svs and cov pls, 1/2" x 3/4"	59902034
2	Covering cap	59906563
2.1	Clamping ring	59913073
2.2	O-ring, d 46 X d 2	59912470
3	Screw, M50x1, SW45	59913069
4	Cartridge, 4.8 Eco	59904601
4.1	Adjustment ring	59904759
5.1	Fixing screw, M6x12, AF2.5	59904804
8	Spout, L=170	59911183
8	Spout, L=96	59910419
8	Spout, L=235	59910417
8	Spout, L=235 (2019-)	59914767
8	Spout, L=96 (2019-)	59914765
8	Spout, L=170 (2019-)	59914766
8	Spout, L=116	59912048
8	Spout, L=145	59911380
8.1	O-ring, d 15 x d 2.5	59910423
8.2	Limiter	59910421
8.3	Limiter	59910422
8.4	Maintenance set	59912230
8.5	Emptying valve	59912483
8.6	Adapter, M18x1	59913074
N.I.	Screw, M6x10, 2,5	59911435
N.I.	Key, SW45/SW50	59905190