

HANSA CLINICA
WASHBASIN FAUCET
 01502176
EAN: 4015474135710



- Health & Care
- Single-lever
- Chrome
- Fixed spout
- Laminar stream
- Loop shape, Hot/Cold symbols, Long shape, Single operating lever/handle
- Pop-up waste with draw-rod
- Limitation option for maximum temperature and flow-rate, Adjustable hot water stop (retrofitable)
- ø 48 mm ceramic eco cartridge for flow and temperature control
- Copper inlet pipes
- Inner body made of DZR brass, Waterways without nickel coating

Technical data

Flow properties

Eco-flow at 3 bar
 Flow-rate at 3 bar

6.0 l/min
12.0 l/min

Technical properties

DN-size (nominal dimension)
 Hot water supply
 Working pressure
 Connection size

DN15
max. +90°C
0.5-10 bar
Ø10

Regulations

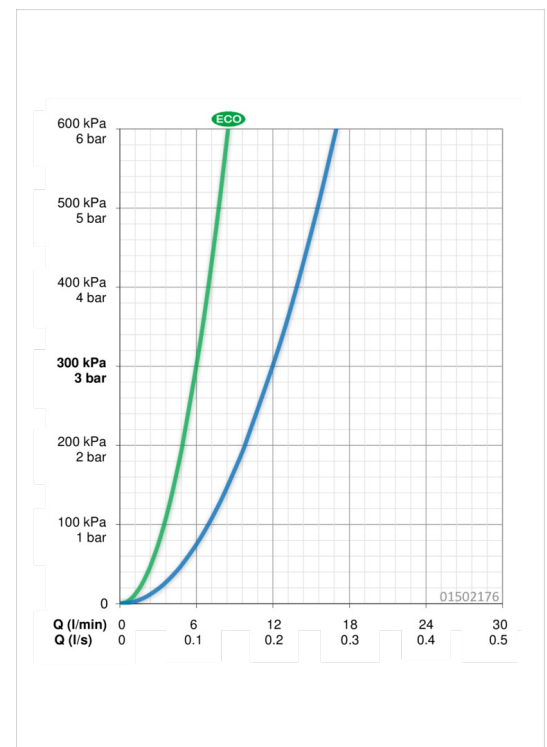
EN standard

EN 817

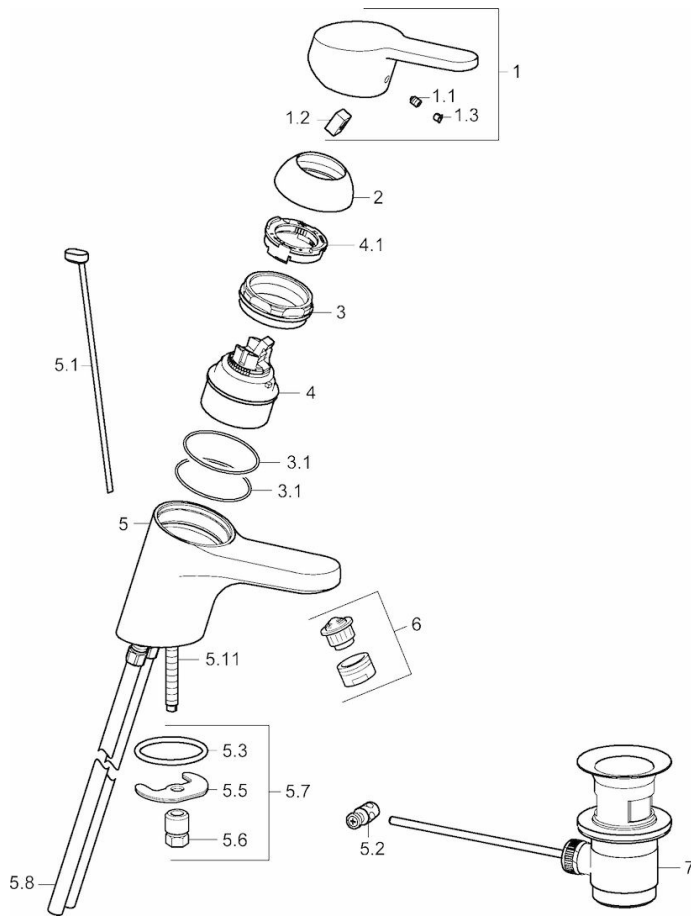
Type approvals

ABP

P-IX 28417/IA



Spare parts



SP01502173

	Name	Code
1	Lever, L=110	01580076
1	Lever, L=86 mm	01580073
1.1	Screw, M5x8, SW2.5	59904755
1.2	Bushing	59904778
1.3	Symbol plug Grey	59912112
2	Covering cap	59913068
2	Covering cap	59906563
3	Screw, M50x1, SW45	59913069
3.1	O-ring, d 48 X d 2	59913072
4	Cartridge, 4.8 Eco	59904601
4.1	Adjustment ring	59904759
5.1	Pop-up operating rod	59913067
5.11	Fixing screw, M8x1, L=140	59912474
5.2	Swivel joint	59904624
5.3	O-ring, 42x3.5	59904764
5.5	Fixing plate	59904765
5.6	Screw, M8x1, SW13	59904766
5.7	Fixing set	59910749
5.8	Pipe	59913070
6	Aerator, M24x1 , 7 l/min (-2013)	59912004
6	Aerator, M24x1 A (2013-) Laminar PL-HC-STD	59914054
7	Pop-up waste	59904620
N.I.	Key, SW45/SW50	59905190