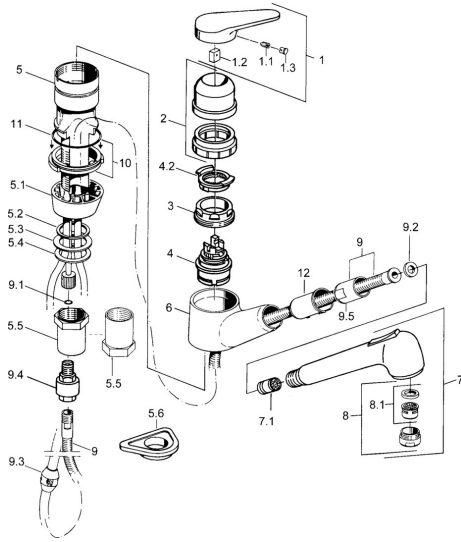


EAN: 4015474641754
static.hansa.com/01382162



- Kitchen
- Single-lever
- Deck mounted
- Chrome
- Pull-out model
- Single operating lever/handle, Hot/Cold symbols
- Non-return valve(s)
- Copper inlet pipes

Technical data

Technical properties

Hot water supply	max. +80°C
Working pressure	0.5-10 bar
Backflow prevention (EN1717)	EB
Material	Brass

Regulations

EN standard	EN 817
-------------	---------------

