

EAN: 4015474276673  
[static.hansa.com/01361183](http://static.hansa.com/01361183)



- Kitchen
- Single-lever, Low pressure
- Deck mounted
- Chrome
- Pull-out model, Swivel spout
- Laminar stream
- Hot/Cold symbols, Single operating lever/handle
- Shower hose (1400 mm)
- Limitation option for maximum temperature and flow-rate, Adjustable hot water stop (included, retrofittable)
- $\varnothing$  48 mm ceramic cartridge for flow and temperature control, Non-return valve(s)
- Copper inlet pipes
- Surfaces in contact with drinking water contain less than 0.3% lead, Inner body made of DZR brass, Waterways without nickel coating
- protected against back-flow in domestic use (according to DIN EN 1717)

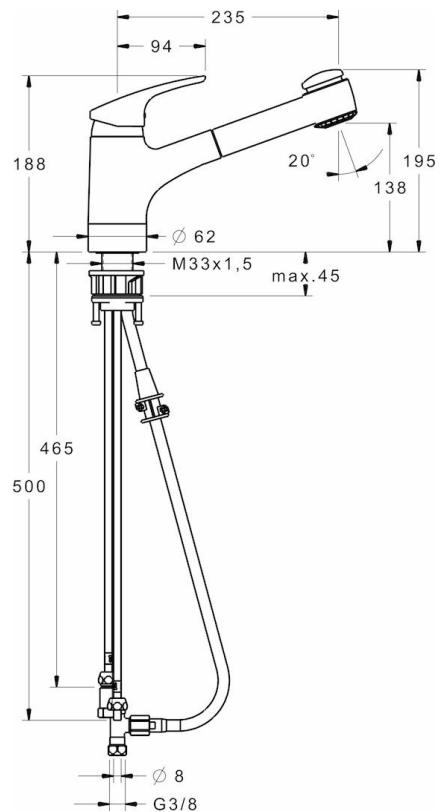
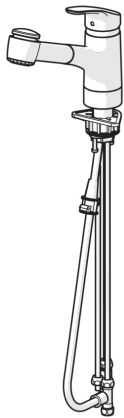
## Technical data

### Technical properties

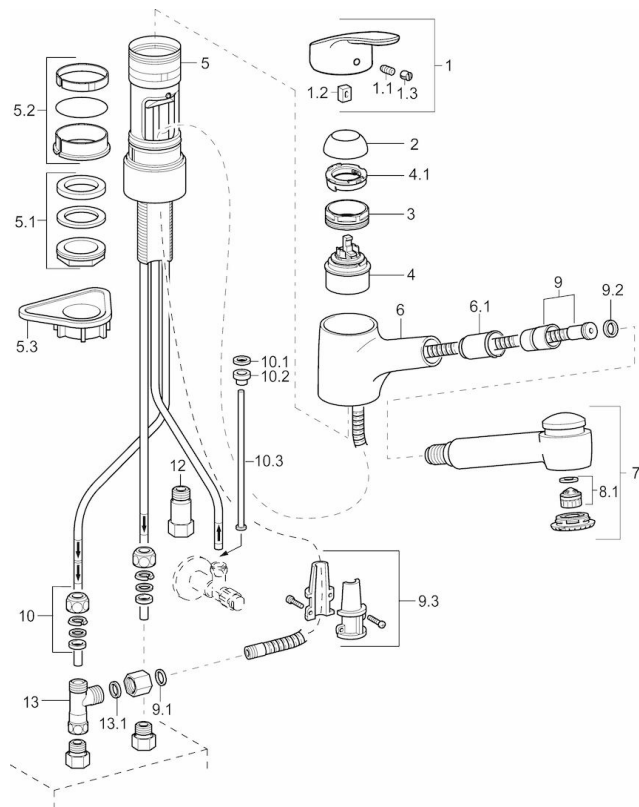
DN-size (nominal dimension)	<b>DN15</b>
Hot water supply	<b>max. +90°C</b>
Working pressure	<b>1-5 bar</b>
Projection	<b>235 mm</b>
Material	<b>Brass</b>

### Regulations

EN standard	<b>EN 817</b>
-------------	---------------



## Spare parts



### SP01361183

	Name	Code
1	Lever, L=93 mm	01880083
1.1	Screw, M5x8, SW2.5	59904755
1.2	Bushing	59904778
1.3	Symbol plug Grey	59912112
10	Fitting nut	59904969
10.1	Sealing kit, 14.9x8.5x1	59902352
10.2	Sealing kit, 10x8	59902272
10.3	Hose	59902151
12	Non-return valve, G3/8xG3/9	59912107
13	T-connector, M14x1 ND	59913480
13.1	Gasket, 14.8x10x1.5	59905042
2	Covering cap	59912647
3	Eye screw, M50x1, SW45	59904775
4	Cartridge, 4.8 eco	59904601
4.1	Adjusting ring	59904759
5.1	Fixing set, M33 x 1,5	59912717
5.2	Sealing kit	59912646
5.3	Supporting plate	59910008
6	Spout	59912721
6.1	Passing-through bushing	59912724
7	Pull-out spout	59912723
8.1	Aerator, M22/24, ND	59901553
9	Hose, L=1400	59912720
9.1	Gasket, 9.5x14.4x2	59912551
9.2	Gasket ring, d 21x12x2	59912304
9.3	Retainer	59906600