

EAN: 4015474276611  
[static.hansa.com/01211183](http://static.hansa.com/01211183)



- Kitchen
- Single-lever, Low pressure, Dishwasher valve
- Deck mounted
- Chrome
- Swivel spout, Casted construction
- Laminar stream, Standard aerator
- Mechanic stop valve for external equipment
- Hot/Cold symbols, Single operating lever/handle
- Limitation option for maximum temperature and flow-rate, Adjustable hot water stop (included, retrofittable)
- $\phi$  48 mm ceramic eco cartridge for flow and temperature control
- Copper inlet pipes
- Inner body made of DZR brass, Surfaces in contact with drinking water contain less than 0.3% lead, Waterways without nickel coating

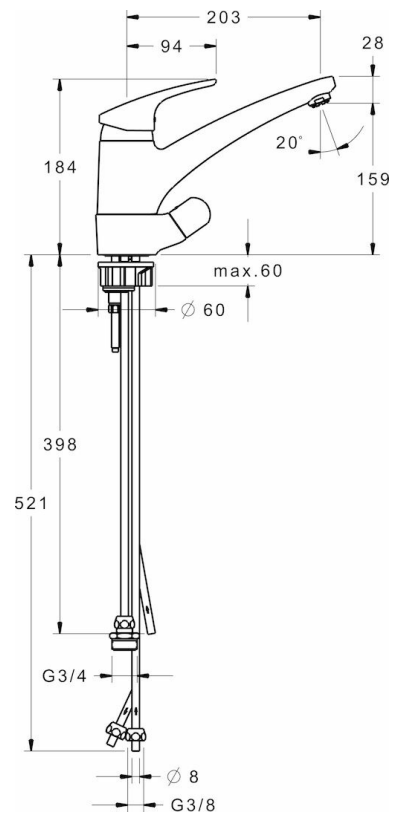
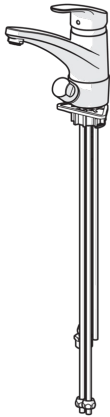
## Technical data

### Technical properties

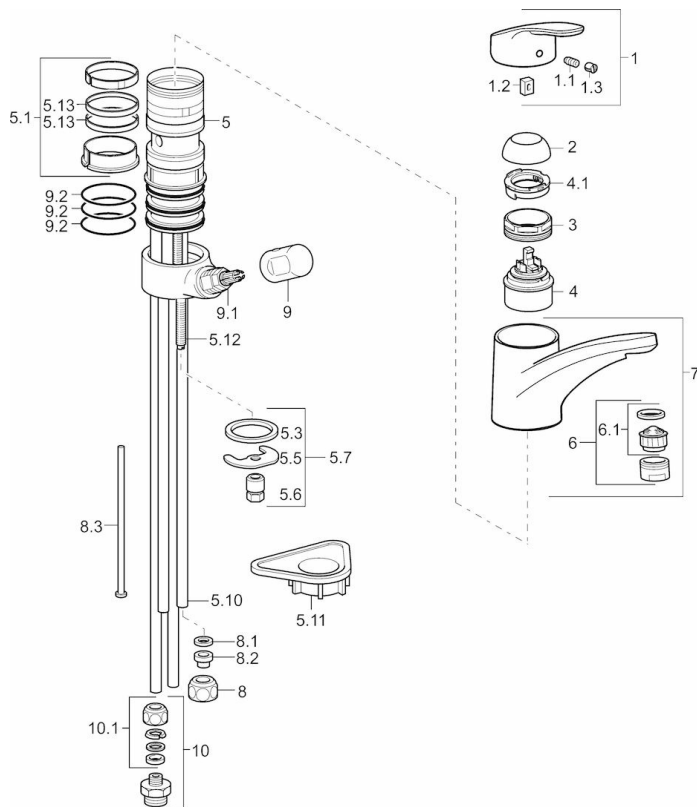
DN-size (nominal dimension)	<b>DN15</b>
Hot water supply	<b>max. +90°C</b>
Working pressure	<b>1-5 bar</b>
Projection	<b>203 mm</b>
Material	<b>Brass</b>

### Regulations

EN standard	<b>EN 817</b>
-------------	---------------



## Spare parts



### SP01211183

Name	Code
1 Lever, L=93 mm	01880083
1.1 Screw, M5x8, SW2.5	59904755
1.2 Bushing	59904778
1.3 Symbol plug Grey	59912112
10 Connector nipple, G3/4 x G3/8	59910940
10.1 Nipple	59910377
2 Covering cap	59912647
3 Fixing screw, M50x1, SW45	59904890
4 Cartridge, 4.8 eco	59904601
4.1 Adjusting ring	59904759
5.1 Sealing kit	59912646
5.10 Pipe, 8x530	59911895
5.11 Supporting plate	59910008
5.12 Fixing screw, M8x1, L=140	59912474
5.13 Gasket, 40.3x6	59911387
5.2 Raising socket, 30 mm	59912710
5.3 Gasket, 37x48x3.5	59911422
5.5 Fixing plate	59904765
5.6 Screw, M8x1, SW13	59904766
5.7 Fixing set	59910749
6 Aerator, M24x1, Low pressure	59902692
6.1 Aerator, M22/24, ND	59901553
7 Spout	59912711
8 Fitting nut	59904969
8.1 Sealing kit, 14.9x8.5x1	59902352
8.2 Sealing kit, 10x8	59902272
8.3 Hose	59902151
9 Handle	59910370
9.1 Headpart, G1/2	59913457
9.2 O-ring, d 45x2.5	59911151